

S

Cable clamp for fastening to angle profiles

The S cable clamp with full-surface pressure trough can guide cables with a maximum diameter of 175 mm. It is suitable for attachment to angle profiles and U profiles with a leg length of 40 mm. On request, a GW counter trough can be fitted for improved cable support. We provide components in various materials and surface finishes to ensure that various requirements for different areas of application are met.

The article is also available with lock nuts. This prevents the clamp from unintentionally coming loose. Lock nuts must be specified separately when ordering.

Articles with a diameter of 12 to 56 mm are also available in stainless steel with material no. 1.4571/1.4404 (V4A).

steel, zinc plated

Article	Type	H _{max}	D	M	cables	G
100 S	Cable clamp 100 S	137 mm	94 - 100 mm	4 Nm	1	0.310 kg
110 S	Cable clamp 110 S	157 mm	101 - 110 mm	4 Nm	1	0.329 kg
12 S	Cable clamp 12 S	41 mm	8 - 12 mm	2 Nm	1	0.036 kg
120 S	Cable clamp 120 S	167 mm	111 - 120 mm	4 Nm	1	0.351 kg
150 S	Cable clamp 150 S	203 mm	145 - 150 mm	6 Nm	1	1.077 kg
16 S	Cable clamp 16 S	46 mm	12 - 16 mm	2 Nm	1	0.039 kg
175 S	Cable clamp 175 S	228 mm	170 - 175 mm	6 Nm	1	1.280 kg
20 S	Cable clamp 20 S	50 mm	16 - 20 mm	2 Nm	1	0.043 kg
24 S	Cable clamp 24 S	54 mm	20 - 24 mm	2 Nm	1	0.047 kg
28 S	Cable clamp 28 S	58 mm	24 - 28 mm	2 Nm	1	0.052 kg
32 S	Cable clamp 32 S	63 mm	28 - 32 mm	2 Nm	1	0.061 kg
36 S	Cable clamp 36 S	67 mm	32 - 36 mm	2 Nm	1	0.065 kg
40 S	Cable clamp 40 S	71 mm	36 - 40 mm	2 Nm	1	0.070 kg
44 S	Cable clamp 44 S	81 mm	40 - 44 mm	4 Nm	1	0.093 kg
48 S	Cable clamp 48 S	85 mm	44 - 48 mm	4 Nm	1	0.098 kg
52 S	Cable clamp 52 S	90 mm	48 - 52 mm	4 Nm	1	0.106 kg
56 S	Cable clamp 56 S	94 mm	52 - 56 mm	4 Nm	1	0.125 kg
60 S	Cable clamp 60 S	98 mm	56 - 60 mm	4 Nm	1	0.161 kg
64 S	Cable clamp 64 S	102 mm	60 - 64 mm	4 Nm	1	0.167 kg
70 S	Cable clamp 70 S	109 mm	64 - 70 mm	4 Nm	1	0.186 kg
76 S	Cable clamp 76 S	113 mm	70 - 76 mm	4 Nm	1	0.242 kg
82 S	Cable clamp 82 S	119 mm	76 - 82 mm	4 Nm	1	0.264 kg



PRODUCT INFORMATION

Article	Type	H _{max}	D	M	cables	G
88 S	Cable clamp 88 S	125 mm	82 - 88 mm	4 Nm	1	0.270 kg
94 S	Cable clamp 94 S	131 mm	88 - 94 mm	4 Nm	1	0.332 kg
12/2 S	Cable clamp 12/2 S	58 mm	8 - 12 mm	2 Nm	2	0.044 kg
16/2 S	Cable clamp 16/2 S	67 mm	12 - 16 mm	2 Nm	2	0.049 kg
20/2 S	Cable clamp 20/2 S	75 mm	16 - 20 mm	2 Nm	2	0.055 kg
24/2 S	Cable clamp 24/2 S	84 mm	20 - 24 mm	2 Nm	2	0.061 kg
28/2 S	Cable clamp 28/2 S	92 mm	24 - 28 mm	2 Nm	2	0.068 kg
32/2 S	Cable clamp 32/2 S	101 mm	28 - 32 mm	2 Nm	2	0.080 kg
36/2 S	Cable clamp 36/2 S	109 mm	32 - 36 mm	2 Nm	2	0.085 kg
40/2 S	Cable clamp 40/2 S	117 mm	36 - 40 mm	2 Nm	2	0.092 kg
44/2 S	Cable clamp 44/2 S	127 mm	40 - 44 mm	4 Nm	2	0.129 kg
48/2 S	Cable clamp 48/2 S	135 mm	44 - 48 mm	4 Nm	2	0.134 kg
52/2 S	Cable clamp 52/2 S	144 mm	48 - 52 mm	4 Nm	2	0.154 kg
56/2 S	Cable clamp 56/2 S	152 mm	52 - 56 mm	4 Nm	2	0.174 kg
12/3 S	Cable clamp 12/3 S	71 mm	8 - 12 mm	2 Nm	3	0.050 kg
16/3 S	Cable clamp 16/3 S	85 mm	12 - 16 mm	2 Nm	3	0.058 kg
20/3 S	Cable clamp 20/3 S	97 mm	16 - 20 mm	2 Nm	3	0.066 kg
24/3 S	Cable clamp 24/3 S	110 mm	20 - 24 mm	2 Nm	3	0.074 kg
28/3 S	Cable clamp 28/3 S	122 mm	24 - 28 mm	2 Nm	3	0.083 kg

aluminium

Article	Type	H _{max}	D	M	cables	G
12 S-AL	Cable clamp 12 S-AL	41 mm	8 - 12 mm	1.5 Nm	1	0.017 kg
16 S-AL	Cable clamp 16 S-AL	46 mm	12 - 16 mm	1.5 Nm	1	0.017 kg
20 S-AL	Cable clamp 20 S-AL	50 mm	16 - 20 mm	1.5 Nm	1	0.020 kg
24 S-AL	Cable clamp 24 S-AL	54 mm	20 - 24 mm	1.5 Nm	1	0.022 kg
28 S-AL	Cable clamp 28 S-AL	58 mm	24 - 28 mm	1.5 Nm	1	0.024 kg
32 S-AL	Cable clamp 32 S-AL	63 mm	28 - 32 mm	1.5 Nm	1	0.039 kg
36 S-AL	Cable clamp 36 S-AL	67 mm	32 - 36 mm	1.5 Nm	1	0.042 kg
40 S-AL	Cable clamp 40 S-AL	71 mm	36 - 40 mm	1.5 Nm	1	0.046 kg
44 S-AL	Cable clamp 44 S-AL	81 mm	40 - 44 mm	3 Nm	1	0.051 kg
48 S-AL	Cable clamp 48 S-AL	85 mm	44 - 48 mm	3 Nm	1	0.054 kg



PRODUCT INFORMATION

Article	Type	H _{max}	D	M	cables	G
52 S-AL	Cable clamp 52 S-AL	90 mm	48 - 52 mm	3 Nm	1	0.059 kg
56 S-AL	Cable clamp 56 S-AL	94 mm	52 - 56 mm	3 Nm	1	0.062 kg

Stainless steel, acc. to AISI 304 (BS 304S31)

Article	Type	H _{max}	D	M	cables	G
12 S-E	Cable clamp 12 S-E	41 mm	8 - 12 mm	2 Nm	1	0.034 kg
16 S-E	Cable clamp 16 S-E	46 mm	12 - 16 mm	2 Nm	1	0.038 kg
20 S-E	Cable clamp 20 S-E	50 mm	16 - 20 mm	2 Nm	1	0.041 kg
24 S-E	Cable clamp 24 S-E	54 mm	20 - 24 mm	2 Nm	1	0.045 kg
28 S-E	Cable clamp 28 S-E	58 mm	24 - 28 mm	2 Nm	1	0.048 kg
32 S-E	Cable clamp 32 S-E	63 mm	28 - 32 mm	2 Nm	1	0.057 kg
36 S-E	Cable clamp 36 S-E	67 mm	32 - 36 mm	2 Nm	1	0.063 kg
40 S-E	Cable clamp 40 S-E	71 mm	36 - 40 mm	2 Nm	1	0.066 kg
44 S-E	Cable clamp 44 S-E	81 mm	40 - 44 mm	4 Nm	1	0.089 kg
48 S-E	Cable clamp 48 S-E	85 mm	44 - 48 mm	4 Nm	1	0.093 kg
52 S-E	Cable clamp 52 S-E	90 mm	48 - 52 mm	4 Nm	1	0.101 kg
56 S-E	Cable clamp 56 S-E	94 mm	52 - 56 mm	4 Nm	1	0.116 kg
60 S-E	Cable clamp 60 S-E		56 - 60 mm		1	0.147 kg
64 S-E	Cable clamp 64 S-E		60 - 64 mm		1	0.158 kg
70 S-E	Cable clamp 70 S-E		64 - 70 mm		1	0.171 kg

H_{max}: maximum height

D: clamping range

M: torque

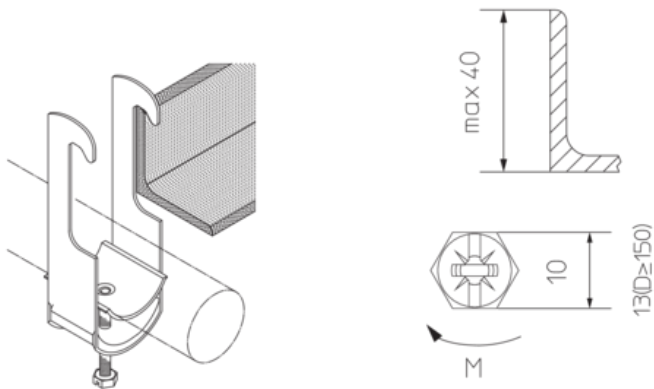
cables: max. number of cables

G: Weight per storage unit



PRODUCT INFORMATION

DETAIL AND APPLICATION IMAGES



OPTIONAL ACCESSORIES

GW12-70, GW 76-120, GW150-175, DW, LW

