

## U

### Cable clamp for fastening to flat profiles

The U cable clamp with full-surface pressure trough can guide cables with a maximum diameter of 175 mm. It is suitable for fastening to flat profiles made from material max. 12 mm thick. On request, a GW counter trough can be fitted for improved cable support.

The article is also available with lock nuts. This prevents the clamp from unintentionally coming loose. Lock nuts must be specified separately when ordering.

We provide components in various materials and surface finishes to ensure that various requirements for different areas of application are met.

steel, zinc plated

Article	Type	H <sub>max</sub>	D	M	cables	G
100 U	Cable clamp 100 U	137 mm	94 - 100 mm	4 Nm	1	0.303 kg
110 U	Cable clamp 110 U	157 mm	101 - 110 mm	4 Nm	1	0.319 kg
12 U	Cable clamp 12 U	41 mm	8 - 12 mm	2 Nm	1	0.030 kg
120 U	Cable clamp 120 U	167 mm	111 - 120 mm	4 Nm	1	0.358 kg
150 U	Cable clamp 150 U	203 mm	145 - 150 mm	6 Nm	1	1.082 kg
16 U	Cable clamp 16 U	46 mm	12 - 16 mm	2 Nm	1	0.033 kg
175 U	Cable clamp 175 U	228 mm	170 - 175 mm	6 Nm	1	1.331 kg
20 U	Cable clamp 20 U	50 mm	16 - 20 mm	2 Nm	1	0.037 kg
24 U	Cable clamp 24 U	54 mm	20 - 24 mm	2 Nm	1	0.040 kg
28 U	Cable clamp 28 U	58 mm	24 - 28 mm	2 Nm	1	0.045 kg
32 U	Cable clamp 32 U	63 mm	28 - 32 mm	2 Nm	1	0.054 kg
36 U	Cable clamp 36 U	67 mm	32 - 36 mm	2 Nm	1	0.058 kg
40 U	Cable clamp 40 U	71 mm	36 - 40 mm	2 Nm	1	0.063 kg
44 U	Cable clamp 44 U	81 mm	40 - 44 mm	4 Nm	1	0.084 kg
48 U	Cable clamp 48 U	85 mm	44 - 48 mm	4 Nm	1	0.089 kg
52 U	Cable clamp 52 U	90 mm	48 - 52 mm	4 Nm	1	0.097 kg
56 U	Cable clamp 56 U	94 mm	52 - 56 mm	4 Nm	1	0.119 kg
60 U	Cable clamp 60 U	98 mm	56 - 60 mm	4 Nm	1	0.154 kg
64 U	Cable clamp 64 U	102 mm	60 - 64 mm	4 Nm	1	0.162 kg
70 U	Cable clamp 70 U	109 mm	64 - 70 mm	4 Nm	1	0.176 kg
76 U	Cable clamp 76 U	113 mm	70 - 76 mm	4 Nm	1	0.238 kg
82 U	Cable clamp 82 U	119 mm	76 - 82 mm	4 Nm	1	0.249 kg
88 U	Cable clamp 88 U	125 mm	82 - 88 mm	4 Nm	1	0.260 kg



# PRODUCT INFORMATION

Article	Type	H <sub>max</sub>	D	M	cables	G
94 U	Cable clamp 94 U	131 mm	88 - 94 mm	4 Nm	1	0.283 kg
12/2 U	Cable clamp 12/2 U	58 mm	8 - 12 mm	2 Nm	2	0.037 kg
16/2 U	Cable clamp 16/2 U	67 mm	12 - 16 mm	2 Nm	2	0.043 kg
20/2 U	Cable clamp 20/2 U	75 mm	16 - 20 mm	2 Nm	2	0.049 kg
24/2 U	Cable clamp 24/2 U	84 mm	20 - 24 mm	2 Nm	2	0.055 kg
28/2 U	Cable clamp 28/2 U	92 mm	24 - 28 mm	2 Nm	2	0.061 kg
32/2 U	Cable clamp 32/2 U	101 mm	28 - 32 mm	2 Nm	2	0.072 kg
36/2 U	Cable clamp 36/2 U	109 mm	32 - 36 mm	2 Nm	2	0.079 kg
40/2 U	Cable clamp 40/2 U	117 mm	36 - 40 mm	2 Nm	2	0.085 kg
44/2 U	Cable clamp 44/2 U	127 mm	40 - 44 mm	4 Nm	2	0.120 kg
48/2 U	Cable clamp 48/2 U	135 mm	44 - 48 mm	4 Nm	2	0.126 kg
52/2 U	Cable clamp 52/2 U	144 mm	48 - 52 mm	4 Nm	2	0.137 kg
56/2 U	Cable clamp 56/2 U	152 mm	52 - 56 mm	4 Nm	2	0.172 kg
12/3 U	Cable clamp 12/3 U	71 mm	8 - 12 mm	2 Nm	3	0.044 kg
16/3 U	Cable clamp 16/3 U	85 mm	12 - 16 mm	2 Nm	3	0.052 kg
20/3 U	Cable clamp 20/3 U	97 mm	16 - 20 mm	2 Nm	3	0.060 kg
24/3 U	Cable clamp 24/3 U	110 mm	20 - 24 mm	2 Nm	3	0.068 kg
28/3 U	Cable clamp 28/3 U	122 mm	24 - 28 mm	2 Nm	3	0.076 kg

## aluminium

Article	Type	H <sub>max</sub>	D	M	cables	G
12 U-AL	Cable clamp 12 U-AL	41 mm	8 - 12 mm	2 Nm	1	0.017 kg
16 U-AL	Cable clamp 16 U-AL	46 mm	12 - 16 mm	2 Nm	1	0.020 kg
20 U-AL	Cable clamp 20 U-AL	50 mm	16 - 20 mm	2 Nm	1	0.023 kg
24 U-AL	Cable clamp 24 U-AL	54 mm	20 - 24 mm	2 Nm	1	0.025 kg
28 U-AL	Cable clamp 28 U-AL	58 mm	24 - 28 mm	2 Nm	1	0.028 kg
32 U-AL	Cable clamp 32 U-AL	63 mm	28 - 32 mm	2 Nm	1	0.041 kg
36 U-AL	Cable clamp 36 U-AL	67 mm	32 - 36 mm	2 Nm	1	0.045 kg
40 U-AL	Cable clamp 40 U-AL	71 mm	36 - 40 mm	2 Nm	1	0.049 kg
44 U-AL	Cable clamp 44 U-AL	81 mm	40 - 44 mm	4 Nm	1	0.052 kg
48 U-AL	Cable clamp 48 U-AL	85 mm	44 - 48 mm	4 Nm	1	0.055 kg
52 U-AL	Cable clamp 52 U-AL	90 mm	48 - 52 mm	4 Nm	1	0.061 kg



# PRODUCT INFORMATION

Article	Type	H <sub>max</sub>	D	M	cables	G
56 U-AL	Cable clamp 56 U-AL	94 mm	52 - 56 mm	4 Nm	1	0.065 kg

## Stainless steel, acc. to AISI 304 (BS 304S31)

Article	Type	H <sub>max</sub>	D	M	cables	G
12 U-E	Cable clamp 12 U-E	41 mm	8 - 12 mm	2 Nm	1	0.028 kg
16 U-E	Cable clamp 16 U-E	46 mm	12 - 16 mm	2 Nm	1	0.032 kg
20 U-E	Cable clamp 20 U-E	50 mm	16 - 20 mm	2 Nm	1	0.036 kg
24 U-E	Cable clamp 24 U-E	54 mm	20 - 24 mm	2 Nm	1	0.039 kg
28 U-E	Cable clamp 28 U-E	58 mm	24 - 28 mm	2 Nm	1	0.042 kg
32 U-E	Cable clamp 32 U-E	63 mm	28 - 32 mm	2 Nm	1	0.051 kg
36 U-E	Cable clamp 36 U-E	67 mm	32 - 36 mm	2 Nm	1	0.055 kg
40 U-E	Cable clamp 40 U-E	71 mm	36 - 40 mm	2 Nm	1	0.061 kg
44 U-E	Cable clamp 44 U-E	81 mm	40 - 44 mm	4 Nm	1	0.081 kg
48 U-E	Cable clamp 48 U-E	85 mm	44 - 48 mm	4 Nm	1	0.085 kg
52 U-E	Cable clamp 52 U-E	90 mm	48 - 52 mm	4 Nm	1	0.093 kg
56 U-E	Cable clamp 56 U-E	94 mm	52 - 56 mm	4 Nm	1	0.102 kg
60 U-E	Cable clamp 60 U-E		56 - 60 mm		1	0.144 kg
64 U-E	Cable clamp 64 U-E		60 - 64 mm		1	0.151 kg

**H<sub>max</sub>**: maximum height

**D**: clamping range

**M**: torque

**cables**: max. number of cables

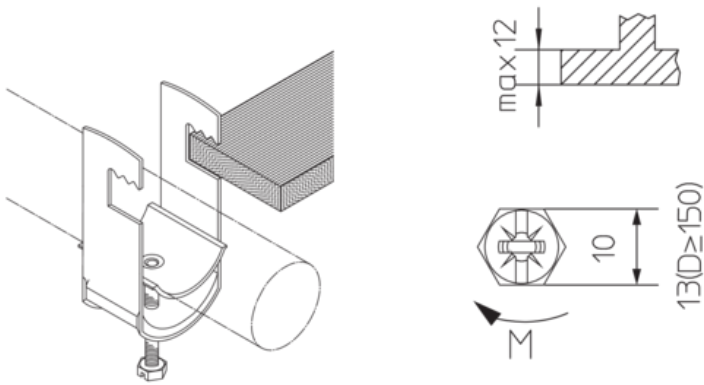
**G**: Weight per storage unit



# PRODUCT INFORMATION

---

## DETAIL AND APPLICATION IMAGES



## OPTIONAL ACCESSORIES

GW 12-70, GW 76-120, GW 150-175, DW, LW

