

AC

Cable clamp for fastening to C profile rails

The AC cable clamp with full-surface pressure trough can guide cables with a maximum diameter of 175 mm. It is suitable for attachment to profile rails C+ and C60° with a slot width of 18/22 mm. On request, a GW counter trough can be fitted for improved cable support. We provide components in various materials and surface finishes to ensure that various requirements for different areas of application are met.

The article is also available with lock nuts. This prevents the clamp from unintentionally coming loose. Lock nuts must be specified separately when ordering.

Articles with a diameter of 12 to 56 mm are also available in aluminium or stainless steel with material no. 1.4571/1.4404 (V4A).

steel, zinc plated

Article	Type	H _{max}	D	M	cables	G
100 AC	Cable clamp 100 AC	137 mm	94 - 100 mm	4 Nm	1	0.292 kg
110 AC	Cable clamp 110 AC	157 mm	101 - 110 mm	4 Nm	1	0.313 kg
12 AC	Cable clamp 12 AC	41 mm	8 - 12 mm	2 Nm	1	0.026 kg
120 AC	Cable clamp 120 AC	167 mm	111 - 120 mm	4 Nm	1	0.333 kg
150 AC	Cable clamp 150 AC	203 mm	145 - 150 mm	6 Nm	1	1.046 kg
16 AC	Cable clamp 16 AC	46 mm	12 - 16 mm	2 Nm	1	0.029 kg
175 AC	Cable clamp 175 AC	228 mm	170 - 175 mm	6 Nm	1	1.303 kg
20 AC	Cable clamp 20 AC	50 mm	16 - 20 mm	2 Nm	1	0.033 kg
24 AC	Cable clamp 24 AC	54 mm	20 - 24 mm	2 Nm	1	0.037 kg
28 AC	Cable clamp 28 AC	58 mm	24 - 28 mm	2 Nm	1	0.041 kg
32 AC	Cable clamp 32 AC	63 mm	28 - 32 mm	2 Nm	1	0.050 kg
36 AC	Cable clamp 36 AC	67 mm	32 - 36 mm	2 Nm	1	0.054 kg
40 AC	Cable clamp 40 AC	71 mm	36 - 40 mm	2 Nm	1	0.059 kg
44 AC	Cable clamp 44 AC	81 mm	40 - 44 mm	4 Nm	1	0.077 kg
48 AC	Cable clamp 48 AC	85 mm	44 - 48 mm	4 Nm	1	0.082 kg
52 AC	Cable clamp 52 AC	90 mm	48 - 52 mm	4 Nm	1	0.090 kg
56 AC	Cable clamp 56 AC	94 mm	52 - 56 mm	4 Nm	1	0.109 kg
60 AC	Cable clamp 60 AC	98 mm	56 - 60 mm	4 Nm	1	0.141 kg
64 AC	Cable clamp 64 AC	102 mm	60 - 64 mm	4 Nm	1	0.147 kg
70 AC	Cable clamp 70 AC	109 mm	64 - 70 mm	4 Nm	1	0.159 kg
76 AC	Cable clamp 76 AC	113 mm	70 - 76 mm	4 Nm	1	0.221 kg
82 AC	Cable clamp 82 AC	119 mm	76 - 82 mm	4 Nm	1	0.234 kg



PRODUCT INFORMATION

Article	Type	H _{max}	D	M	cables	G
88 AC	Cable clamp 88 AC	125 mm	82 - 88 mm	4 Nm	1	0.252 kg
94 AC	Cable clamp 94 AC	131 mm	88 - 94 mm	4 Nm	1	0.279 kg
12/2 AC	Cable clamp 12/2 AC	58 mm	8 - 12 mm	2 Nm	2	0.033 kg
16/2 AC	Cable clamp 16/2 AC	67 mm	12 - 16 mm	2 Nm	2	0.039 kg
20/2 AC	Cable clamp 20/2 AC	75 mm	16 - 20 mm	2 Nm	2	0.045 kg
24/2 AC	Cable clamp 24/2 AC	84 mm	20 - 24 mm	2 Nm	2	0.051 kg
28/2 AC	Cable clamp 28/2 AC	92 mm	24 - 28 mm	2 Nm	2	0.057 kg
32/2 AC	Cable clamp 32/2 AC	101 mm	28 - 32 mm	2 Nm	2	0.068 kg
36/2 AC	Cable clamp 36/2 AC	109 mm	32 - 36 mm	2 Nm	2	0.074 kg
40/2 AC	Cable clamp 40/2 AC	117 mm	36 - 40 mm	2 Nm	2	0.081 kg
44/2 AC	Cable clamp 44/2 AC	127 mm	40 - 44 mm	4 Nm	2	0.113 kg
48/2 AC	Cable clamp 48/2 AC	135 mm	44 - 48 mm	4 Nm	2	0.118 kg
52/2 AC	Cable clamp 52/2 AC	144 mm	48 - 52 mm	4 Nm	2	0.130 kg
56/2 AC	Cable clamp 56/2 AC	152 mm	52 - 56 mm	4 Nm	2	0.153 kg
12/3 AC	Cable clamp 12/3 AC	71 mm	8 - 12 mm	2 Nm	3	0.040 kg
16/3 AC	Cable clamp 16/3 AC	85 mm	12 - 16 mm	2 Nm	3	0.048 kg
20/3 AC	Cable clamp 20/3 AC	97 mm	16 - 20 mm	2 Nm	3	0.056 kg
24/3 AC	Cable clamp 24/3 AC	110 mm	20 - 24 mm	2 Nm	3	0.064 kg
28/3 AC	Cable clamp 28/3 AC	122 mm	24 - 28 mm	2 Nm	3	0.073 kg

aluminium

Article	Type	H _{max}	D	M	cables	G
12 AC-AL	Cable clamp 12 AC-AL	41 mm	8 - 12 mm	1.5 Nm	1	0.011 kg
16 AC-AL	Cable clamp 16 AC-AL	46 mm	12 - 16 mm	1.5 Nm	1	0.013 kg
20 AC-AL	Cable clamp 20 AC-AL	50 mm	16 - 20 mm	1.5 Nm	1	0.015 kg
24 AC-AL	Cable clamp 24 AC-AL	54 mm	20 - 24 mm	1.5 Nm	1	0.017 kg
28 AC-AL	Cable clamp 28 AC-AL	58 mm	24 - 28 mm	1.5 Nm	1	0.020 kg
32 AC-AL	Cable clamp 32 AC-AL	63 mm	28 - 32 mm	1.5 Nm	1	0.033 kg
36 AC-AL	Cable clamp 36 AC-AL	67 mm	32 - 36 mm	1.5 Nm	1	0.035 kg
40 AC-AL	Cable clamp 40 AC-AL	71 mm	36 - 40 mm	1.5 Nm	1	0.040 kg
44 AC-AL	Cable clamp 44 AC-AL	81 mm	40 - 44 mm	3 Nm	1	0.044 kg
48 AC-AL	Cable clamp 48 AC-AL	85 mm	44 - 48 mm	3 Nm	1	0.047 kg



PRODUCT INFORMATION

Article	Type	H _{max}	D	M	cables	G
52 AC-AL	Cable clamp 52 AC-AL	90 mm	48 - 52 mm	3 Nm	1	0.051 kg
56 AC-AL	Cable clamp 56 AC-AL	94 mm	52 - 56 mm	3 Nm	1	0.055 kg

Stainless steel, acc. to AISI 304 (BS 304S31)

Article	Type	H _{max}	D	M	cables	G
12 AC-E	Cable clamp 12 AC-E	41 mm	8 - 12 mm	2 Nm	1	0.025 kg
16 AC-E	Cable clamp 16 AC-E	46 mm	12 - 16 mm	2 Nm	1	0.028 kg
20 AC-E	Cable clamp 20 AC-E	50 mm	16 - 20 mm	2 Nm	1	0.032 kg
24 AC-E	Cable clamp 24 AC-E	54 mm	20 - 24 mm	2 Nm	1	0.035 kg
28 AC-E	Cable clamp 28 AC-E	58 mm	24 - 28 mm	2 Nm	1	0.040 kg
32 AC-E	Cable clamp 32 AC-E	63 mm	28 - 32 mm	2 Nm	1	0.047 kg
36 AC-E	Cable clamp 36 AC-E	67 mm	32 - 36 mm	2 Nm	1	0.051 kg
40 AC-E	Cable clamp 40 AC-E	71 mm	36 - 40 mm	2 Nm	1	0.056 kg
44 AC-E	Cable clamp 44 AC-E	81 mm	40 - 44 mm	4 Nm	1	0.074 kg
48 AC-E	Cable clamp 48 AC-E	85 mm	44 - 48 mm	4 Nm	1	0.078 kg
52 AC-E	Cable clamp 52 AC-E	90 mm	48 - 52 mm	4 Nm	1	0.086 kg
56 AC-E	Cable clamp 56 AC-E	94 mm	52 - 56 mm	4 Nm	1	0.095 kg
60 AC-E	Cable clamp 60 AC-E		56 - 60 mm		1	0.134 kg
64 AC-E	Cable clamp 64 AC-E		60 - 64 mm		1	0.141 kg
70 AC-E	Cable clamp 70 AC-E		64 - 70 mm		1	0.154 kg
12/2 AC-E	Cable clamp 12/2 AC-E	58 mm	8 - 12 mm	2 Nm	2	0.032 kg
16/2 AC-E	Cable clamp 16/2 AC-E	67 mm	12 - 16 mm	2 Nm	2	0.037 kg
20/2 AC-E	Cable clamp 20/2 AC-E	75 mm	16 - 20 mm	2 Nm	2	0.043 kg
24/2 AC-E	Cable clamp 24/2 AC-E	84 mm	20 - 24 mm	2 Nm	2	0.048 kg
28/2 AC-E	Cable clamp 28/2 AC-E	92 mm	24 - 28 mm	2 Nm	2	0.054 kg
32/2 AC-E	Cable clamp 32/2 AC-E	101 mm	28 - 32 mm	2 Nm	2	0.064 kg
36/2 AC-E	Cable clamp 36/2 AC-E	109 mm	32 - 36 mm	2 Nm	2	0.070 kg
40/2 AC-E	Cable clamp 40/2 AC-E	117 mm	36 - 40 mm	2 Nm	2	0.077 kg
44/2 AC-E	Cable clamp 44/2 AC-E	127 mm	40 - 44 mm	4 Nm	2	0.108 kg
48/2 AC-E	Cable clamp 48/2 AC-E	135 mm	44 - 48 mm	4 Nm	2	0.113 kg
52/2 AC-E	Cable clamp 52/2 AC-E	144 mm	48 - 52 mm	4 Nm	2	0.124 kg
56/2 AC-E	Cable clamp 56/2 AC-E	152 mm	52 - 56 mm	4 Nm	2	0.138 kg



PRODUCT INFORMATION

H_{max}: maximum height

D: clamping range

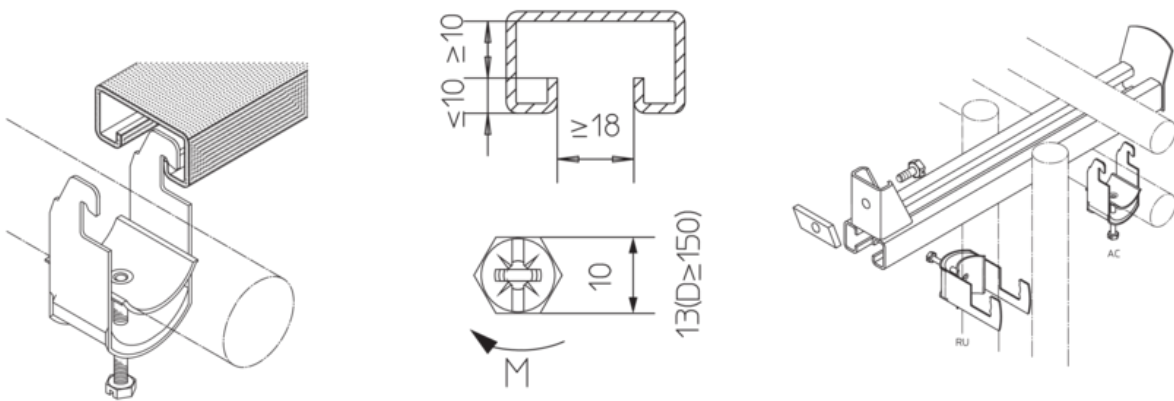
M: torque

cables: max. number of cables

G: Weight per storage unit



DETAIL AND APPLICATION IMAGES



OPTIONAL ACCESSORIES

A 2, A 41, A 4, A 7, A 8, A 9, DW, GW 12-70, GW 150-175, GW 76-120, KHA 2, KHA 21, KHA 4, KHA 41, KHA 42, KHA 7, KHA 8, KHA 82, KHA 9, KHAL 41, LW

