



# Cable tie bases for SES-QUICK cable tie

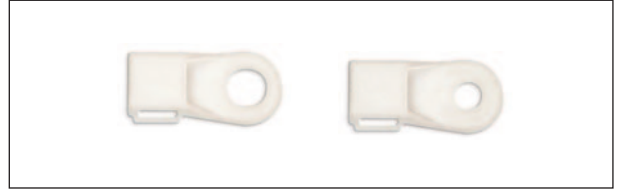


SES-QUICK



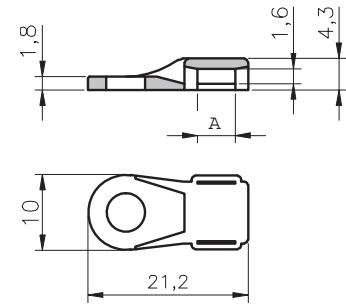
## Cable tie base MB-123

**Material:** PA  
**Colour:** natural  
**Operating temperatures:** -40 to +85°C  
**Flame resistance:** V2 UL94



C12/3-...: Also available in version sensitive to metal detector.

type	article number	for cable ties max. width mm	A fixing by screw Ø mm	 pcs
MB-123-C	0186 0922 018	4,8	5	100
MB-123.35-C	0186 0924 018	4,8	3	100

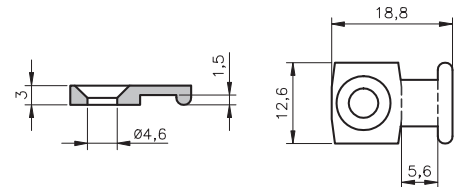


## Cable tie base SM-8

**Material:** PA  
**Colours:** natural - black  
**Operating temperatures:** -20 to +70°C  
**Flame resistance:** V2 UL94



type	article number		for cable ties max. width mm	fixing by screw Ø mm	 pcs
	natural (NL)	black (BK)			
SM-8-C	0186 0910 018	0186 0910 010	4,8	4,6	100



## Cable tie base with clip K50 / K60

**Material:** PA  
**Colours:** natural - black  
**Operating temperatures:** -20 to +70°C  
**Flame resistance:** V2 UL94



type	article number		ØA	dimensions (mm)			for cable ties max. width mm	 pcs
	natural (NL)	noir (BK)		B	C	D		
K50-27	0186 0934 018	0186 0934 010	5...5,4	0,8...2,7	18,5	7	3,6	100
K50-36	0186 0933 018	0186 0933 010	5...5,4	1...3,6	20,5	7	3,6	100
K60-27	0186 0932 018	0186 0932 010	6...6,4	0,8...2,7	22	9,5	4,7	100
K60-36	0186 0931 018	0186 0931 010	6...6,4	1...3,6	23,5	9,5	4,7	100

