

Protection channel for underground cables and utility poles

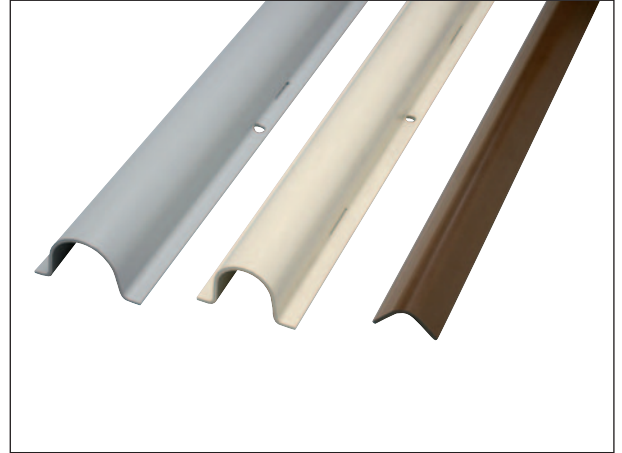


PLIOLINE



PLIOLINE GV

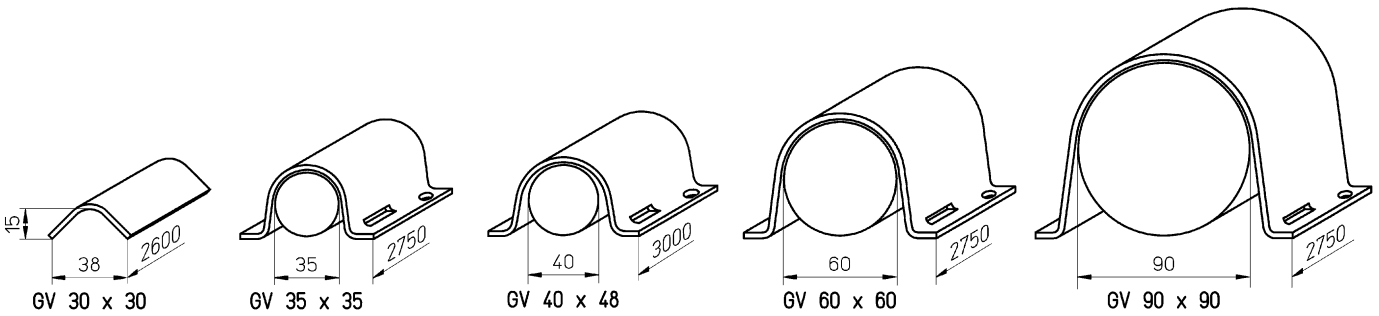
Material: rigid PVC modified choc, quality 9057
Operating temperatures: -20 to +60°C
Dielectric strength: 15 kV/mm
Volume resistivity: 10¹⁴ Ω.cm
Flame resistance: V0 UL94
Specifications: Complies with ENEDIS HN 60 S 02 technical specification.
 UV and weather resistant.
 Impact resistant according to HN 60-E-03.
 Colour grey according to norm NF X 08-002/A640 and near RAL 7001.



Example for order:

code group	detail article	code colour
0806	0xxx	xxx

type	article number	brown (BN)	grey (GY)	ivory (IY)	pce	length mm	capacity cable Ø maxi. (mm)	H mm	L mm	N ENEDIS	use
		006	013	030							
GV 30 x 30	0806 0041 ***	x	x	x	10	2600	7	17,5	42	68.80.535	earth cable
GV 35 x 35	0806 0043 ***	x	x	x	5	2750	35	38	68	68.80.540	protection for underground connections
GV 40 x 48	0806 0042 ***		x		5	3000	40	41	77		
GV 60 x 60	0806 0044 ***	x	x	x	5	2750	60	63	98	68.80.542	
GV 90 x 90	0806 0045 ***	x	x	x	5	2750	90	93	131	68.80.544	



PLIOLINE channel for the protection of underground to surface cables (earth, BT, MT) is attached to concrete or wooden poles with stainless steel strips or screws. Only the ground wire profile has no holes or slots and is secured by means of a strip.

At each end of these profiles is a hole that allows to bind them for transport (except GV 30x30).

