

# Cable trunking SES® with slots and base punching



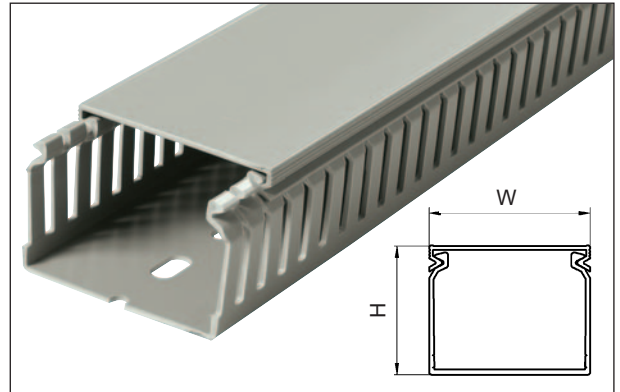
GN-A6/4

**CE** **UL** **US**  
Please contact us.



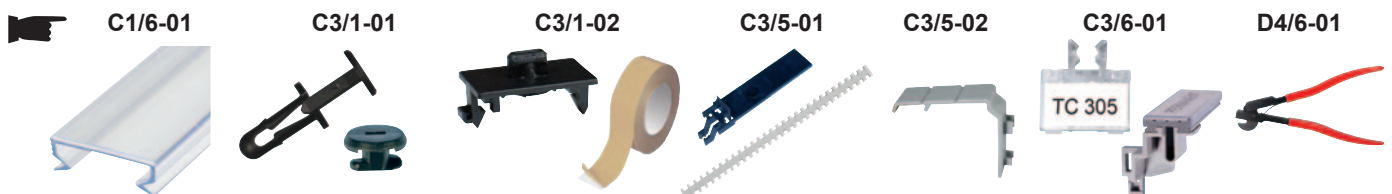
## GN-A6/4 LF

<b>Material:</b>	Rigid PVC
<b>Colour:</b>	grey RAL7030
<b>Operating temperatures:</b>	-5 to +65°C
<b>Volume resistivity:</b>	10 <sup>15</sup> Ω.cm
<b>Dielectric strength:</b>	15kV/mm
<b>Flame resistance:</b>	V0 UL94
<b>Standard length:</b>	2 meters
<b>Double sided adhesive:</b>	upon request
<b>Minimum delivery:</b>	1 complete pack (with lids)



type	trunking (2 m)		ext. dimensions	filling capacity		lids		
	art. no.	m		H mm	W mm	no. of cables (2.5 mm <sup>2</sup> per per trunking)	weight per metre g/m	art. no.
GN-A6/4 15 x 15*	0839 0111 013	96	20	18	6	180	0839 0490 013	48
GN-A6/4 30 x 25	0839 0131 013	60	30	25	17	502	0839 0500 013	48
GN-A6/4 30 x 40	0839 0132 013	36	30	40	30	909	0839 0510 013	24
GN-A6/4 40 x 25	0839 0141 013	48	40	25	23	698	0839 0500 013	48
GN-A6/4 40 x 30	0839 0146 013	36	40	30	29	878	0839 0505 013	24
GN-A6/4 40 x 40	0839 0142 013	32	40	40	42	1 253	0839 0510 013	24
GN-A6/4 40 x 60	0839 0143 013	24	40	60	66	1 992	0839 0520 013	24
GN-A6/4 40 x 80	0839 0144 013	24	40	80	91	2 732	0839 0530 013	24
GN-A6/4 40 x 100	0839 0145 013	12	40	100	116	3 472	0839 0540 013	12
GN-A6/4 60 x 25	0839 0151 013	48	60	25	36	1 074	0839 0500 013	48
GN-A6/4 60 x 30	0839 0157 013	40	60	30	46	1 365	0839 0505 013	24
GN-A6/4 60 x 40	0839 0152 013	32	60	40	64	1 925	0839 0510 013	24
GN-A6/4 60 x 60	0839 0153 013	24	60	60	102	3 060	0839 0520 013	24
GN-A6/4 60 x 80	0839 0154 013	16	60	80	140	4 195	0839 0530 013	24
GN-A6/4 60 x 100	0839 0155 013	16	60	100	178	5 330	0839 0540 013	12
GN-A6/4 60 x 120	0839 0156 013	12	60	120	216	6 465	0839 0550 013	12
GN-A6/4 80 x 25	0839 0161 013	24	80	25	48	1 435	0839 0500 013	48
GN-A6/4 80 x 30	0839 0167 013	24	80	30	61	1 833	0839 0505 013	24
GN-A6/4 80 x 40	0839 0162 013	24	80	40	86	2 586	0839 0510 013	24
GN-A6/4 80 x 60	0839 0163 013	24	80	60	137	4 120	0839 0520 013	24
GN-A6/4 80 x 80	0839 0164 013	16	80	80	188	5 655	0839 0530 013	24
GN-A6/4 80 x 100	0839 0165 013	12	80	100	240	7 189	0839 0540 013	12
GN-A6/4 80 x 120	0839 0166 013	16	80	120	291	8 723	0839 0550 013	12
GN-A6/4 100 x 30	0839 0170 013	32	100	30	75	2 262	0839 0505 013	24
GN-A6/4 100 x 40	0839 0171 013	24	100	40	107	3 222	0839 0510 013	24
GN-A6/4 100 x 60	0839 0172 013	16	100	60	129	3 866	0839 0520 013	24
GN-A6/4 100 x 80	0839 0173 013	16	100	80	177	5 314	0839 0530 013	24
GN-A6/4 100 x 100	0839 0174 013	16	100	100	225	6 763	0839 0540 013	12
GN-A6/4 100 x 150	0839 0175 013	8	100	150	346	10 385	0839 0560 013	12

\* Different geometry (inside dimensions 15x15 mm). Plan on request.

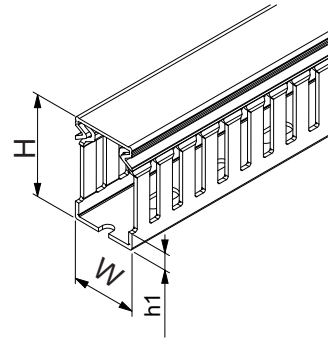
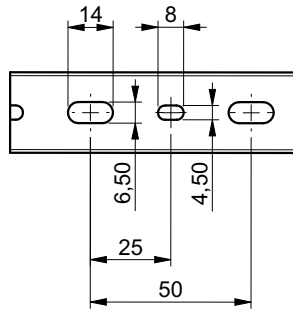
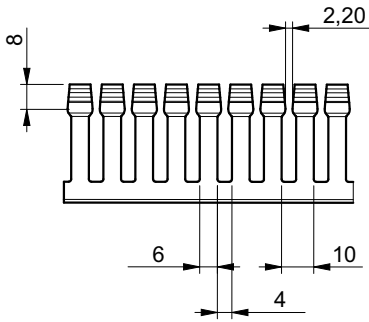


**GN-A6/4 LF**

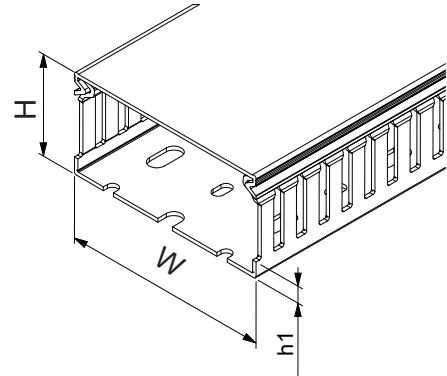
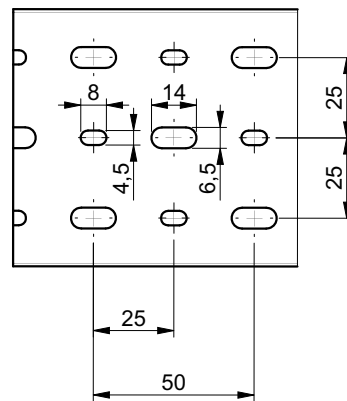
GN-A6/4 15x15: Different geometry (inside dimensions 15x15 mm). Plan on request.

**H = 30 mm**  
**H = 40 mm**

W 25, 30, 40, 60 mm

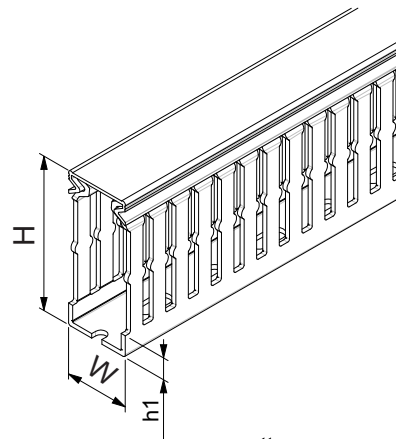
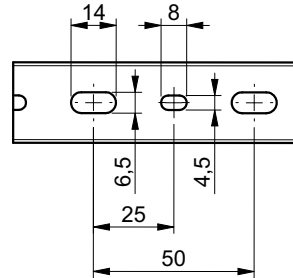
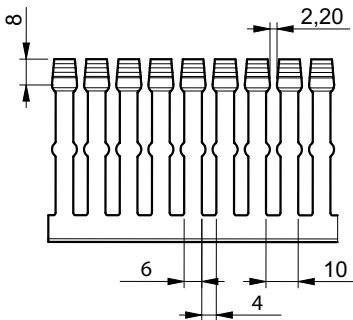


W 80, 100 mm

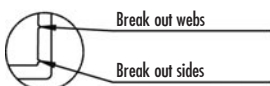
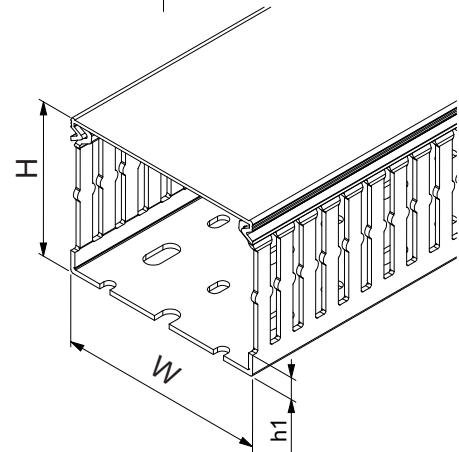
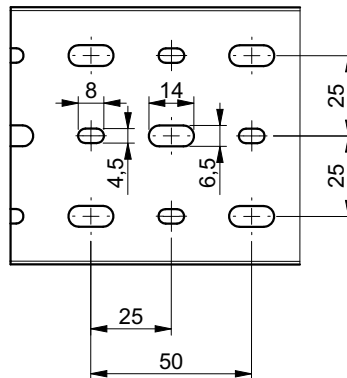


**H = 60 mm**  
**H = 80 mm**  
**H = 100 mm**

W 25, 30, 40, 60 mm



W 80, 100, 120, 150 mm



Base punching to NF EN IEC 61084

H (mm)	30	40	60	80	100
h1 (mm)	5	7	9	11	16

# Cable trunking SES® with slots and base punching

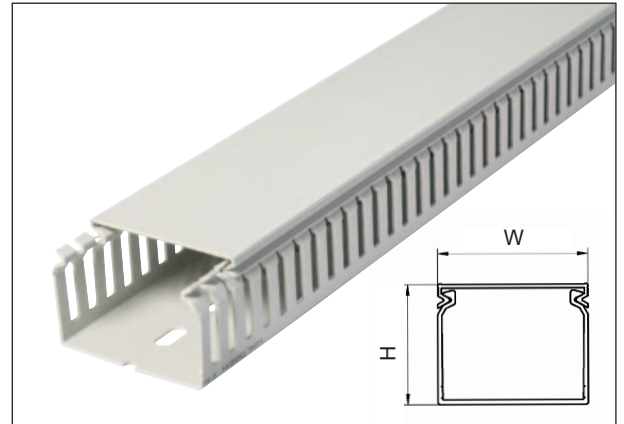




GN-HF-A6/4



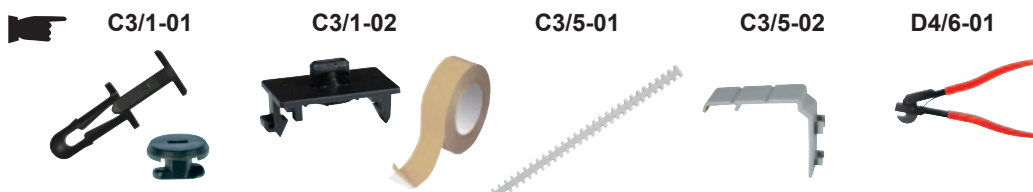
## GN-HF-A6/4

**Material:** PC/ABS  
**Colour:** light grey RAL7035  
**Operating temperatures:** -25 to +90°C  
**Volume resistivity:** 10<sup>15</sup> Ω.cm  
**Dielectric strength:** 35kV/mm  
**Flame resistance:** V0 UL94  
**Specifications:** EN 45545-2 halogen free  
**Standard length:** 2 meters  
**Double sided adhesive:** upon request  
**Minimum delivery:** 1 complete pack (with lids)



type	trunking (2 m) art. no.	 m	ext. dimensions		filling capacity		lids (alone) art. no.	 m
			H mm	W mm	no. of cables (2.5 mm <sup>2</sup> per per trunking	weight per metre g/m		
GN-HF-A6/4 30 x 30	0850 0133 025	48	30	30	21	644	0850 0505 025	24
GN-HF-A6/4 40 x 25	0850 0141 025	48	40	25	23	698	0850 0500 025	48
GN-HF-A6/4 40 x 40	0850 0142 025	32	40	40	42	1 253	0850 0510 025	24
GN-HF-A6/4 40 x 60	0850 0143 025	24	40	60	66	1 992	0850 0520 025	24
GN-HF-A6/4 40 x 80	0850 0144 025	24	40	80	91	2732	0850 0530 025	24
GN-HF-A6/4 60 x 25	0850 0151 025	48	60	25	36	1 074	0850 0500 025	48
GN-HF-A6/4 60 x 40	0850 0152 025	32	60	40	64	1 925	0850 0510 025	24
GN-HF-A6/4 60 x 60	0850 0153 025	24	60	60	102	3 060	0850 0520 025	24
GN-HF-A6/4 60 x 80	0850 0154 025	16	60	80	140	4 195	0850 0530 025	24
GN-HF-A6/4 80 x 25	0850 0161 025	24	80	25	48	1 435	0850 0500 025	48
GN-HF-A6/4 80 x 40	0850 0162 025	24	80	40	86	2 586	0850 0510 025	24
GN-HF-A6/4 80 x 60	0850 0163 025	24	80	60	137	4 120	0850 0520 025	24
GN-HF-A6/4 80 x 80	0850 0164 025	16	80	80	188	5 655	0850 0530 025	24
GN-HF-A6/4 80 x100	0850 0165 025	12	80	100	240	7 189	0850 0540 025	12
GN-HF-A6/4 100 x 30	0850 0170 025	32	100	30	75	2 262	0850 0505 025	24
GN-HF-A6/4 100 x 40	0850 0171 025	24	100	40	107	3 222	0850 0510 025	24
GN-HF-A6/4 100 x 60	0850 0172 025	16	100	60	129	3 866	0850 0520 025	24
GN-HF-A6/4 100 x 80	0850 0174 025	16	100	80	177	5 314	0850 0530 025	24
GN-HF-A6/4 100 x100	0850 0175 025	16	100	100	225	6 763	0850 0540 025	12

**New**



**Cable trunking SES®**  
with slots and base punching

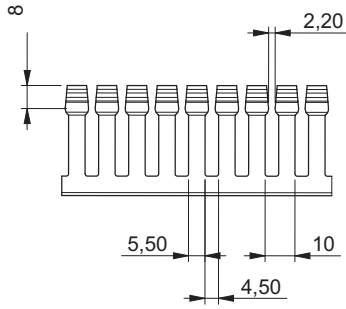


**GN-HF-A6/4**

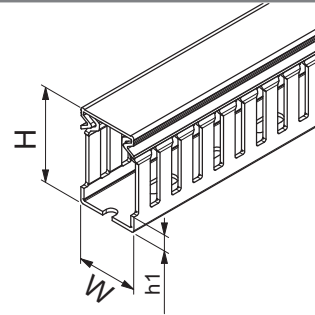
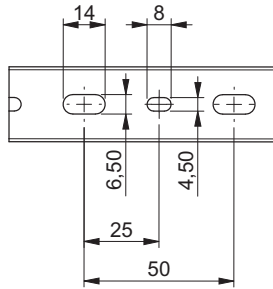


**GN-HF-A6/4**

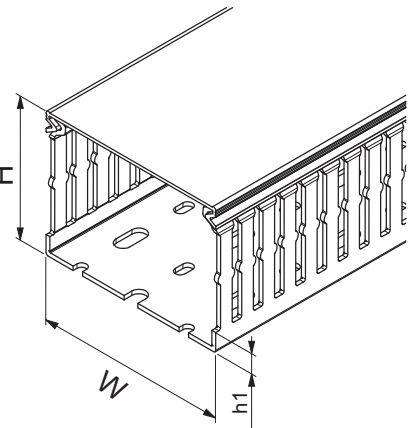
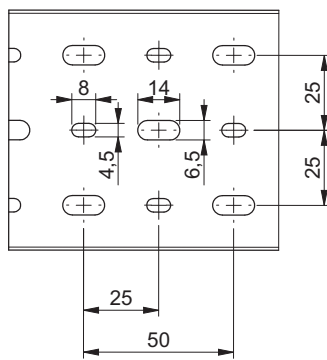
**H = 30 mm**  
**H = 40 mm**



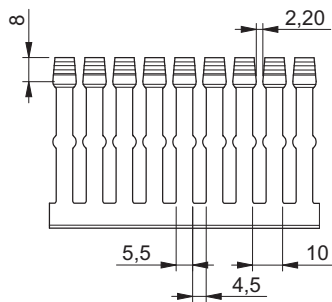
W 25, 30, 40, 60 mm



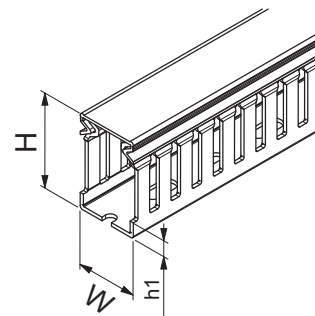
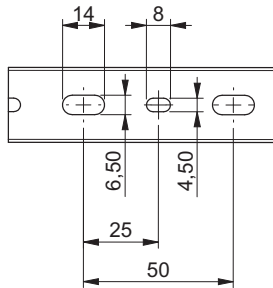
W 80 mm



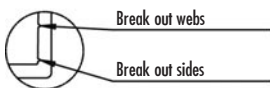
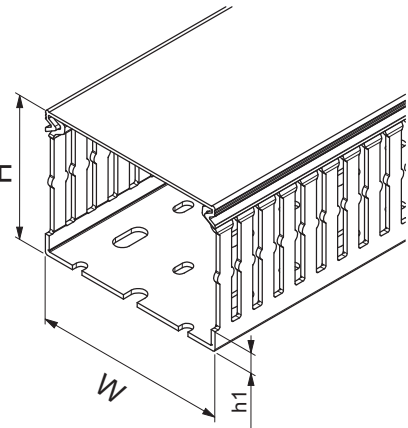
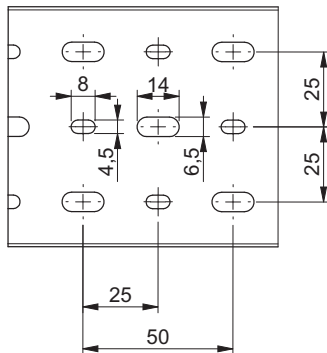
**H = 60 mm**  
**H = 80 mm**  
**H = 100 mm**



W 25, 30, 40, 60 mm



W 80, 100 mm



Base punching to NF EN IEC 61084

H (mm)	30	40	60	80	100
h1 (mm)	4,3	6,5	8,3	10,3	15



# Cable trunking SES® with slots and base punching



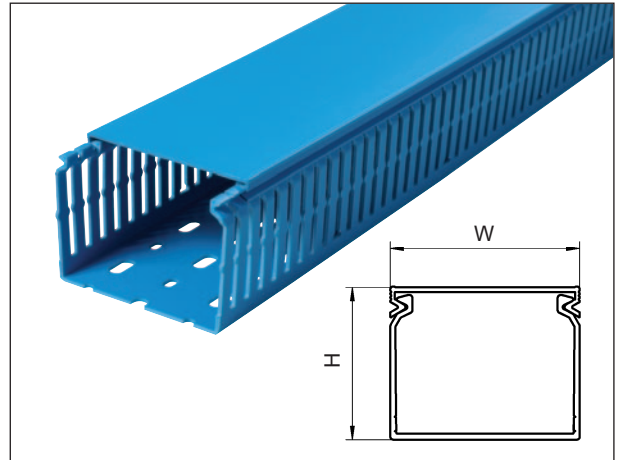
GN-A6/4

C US  
Please contact us.

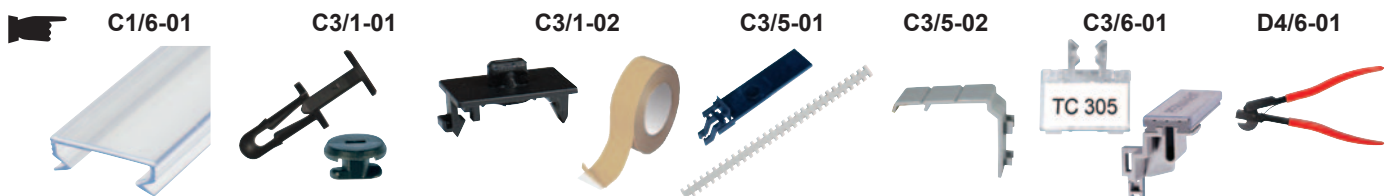


## GN-A6/4 blue

**Material:** rigid PVC  
**Colour:** light blue, RAL 5015  
**Operating temperatures:** -5 to +65°C  
**Volume resistivity:** 10<sup>15</sup> Ω.cm  
**Dielectric strength:** 15 kV/mm  
**Flame resistance:** V0 UL94  
**Standard length:** 2 meters  
**Double sided adhesive:** upon request  
**Minimum delivery:** 1 complete pack (with lids)  
**Application:** Intrinsically safe area.



type	trunking (2 m) art. no.	m	ext. dimensions		filling capacity		lids (alone) art. no.	m
			H mm	W mm	no. of cables (2.5 mm <sup>2</sup> per per trunking	weight per metre g/m		
GN-A6/4 30 x 25	0839 0131 083	60	30	25	17	502	0839 0500 083	48
GN-A6/4 40 x 25	0839 0141 083	48	40	25	23	698	0839 0500 083	48
GN-A6/4 40 x 30	0839 0146 083	36	40	30	29	878	0839 0505 083	24
GN-A6/4 40 x 40	0839 0142 083	32	40	40	42	1253	0839 0510 083	24
GN-A6/4 60 x 25	0839 0151 083	48	60	25	36	1074	0839 0500 083	48
GN-A6/4 60 x 30	0839 0157 083	40	60	30	46	1365	0839 0505 083	24
GN-A6/4 60 x 40	0839 0152 083	32	60	40	64	1925	0839 0510 083	24
GN-A6/4 60 x 60	0839 0153 083	24	60	60	102	3060	0839 0520 083	24
GN-A6/4 60 x 80	0839 0154 083	16	60	80	140	4195	0839 0530 083	24
GN-A6/4 80 x 25	0839 0161 083	24	80	25	48	1435	0839 0500 083	48
GN-A6/4 80 x 30	0839 0167 083	24	80	30	61	1833	0839 0505 083	24
GN-A6/4 80 x 40	0839 0162 083	24	80	40	86	2586	0839 0510 083	24
GN-A6/4 80 x 60	0839 0163 083	24	80	60	137	4120	0839 0520 083	24
GN-A6/4 80 x 80	0839 0164 083	16	80	80	188	5655	0839 0530 083	24
GN-A6/4 80 x 100	0839 0165 083	12	80	100	240	7189	0839 0540 083	12
GN-A6/4 80 x 120	0839 0166 083	16	80	120	291	8723	0839 0550 083	12
GN-A6/4 100 x 60	0839 0172 083	16	100	60	129	3866	0839 0520 083	24
GN-A6/4 100 x 80	0839 0173 083	16	100	80	177	5314	0839 0530 083	24
GN-A6/4 100 x 100	0839 0174 083	16	100	100	225	6763	0839 0540 083	12



**Cable trunking SES®**  
with slots and base punching



**GN-A6/4**

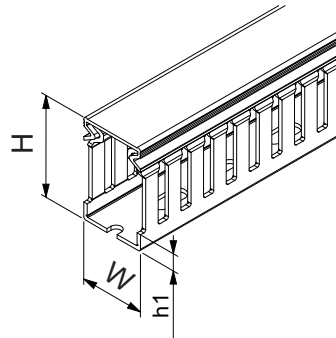
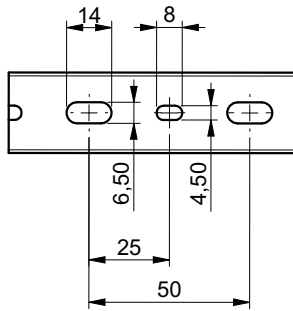
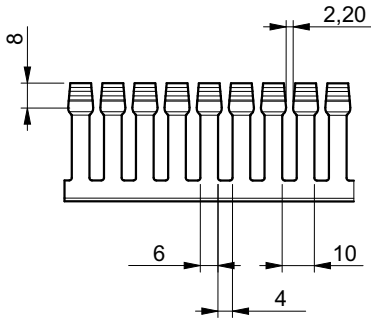
**C RU US**  
Please contact us.



**GN-A6/4 blue**

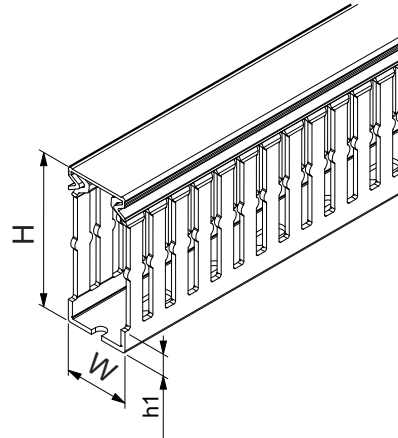
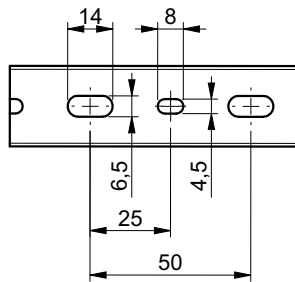
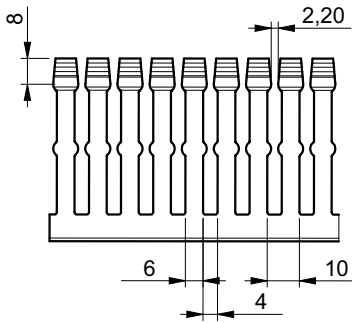
**H = 30 mm**  
**H = 40 mm**

W 25, 30, 40 mm

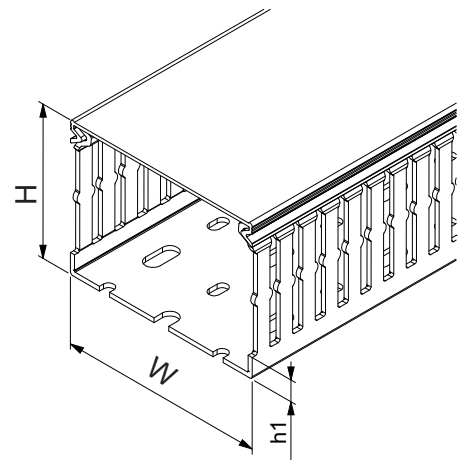
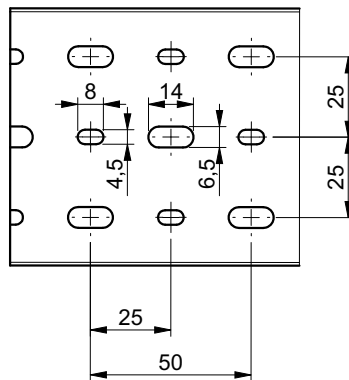
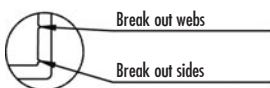


**H = 60 mm**  
**H = 80 mm**  
**H = 100 mm**

W 25, 30, 40, 60 mm



W 80, 100, 120 mm



Base punching to NF EN IEC 61084

H (mm)	30	40	60	80	100
h1 (mm)	5	7	9	11	16

