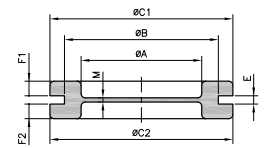


DG-PVC

Material: PVC
Colours: black - light grey - white
Operating temperatures: -30 to +70°C
Hardness Shore A: 55 ± 5
Tensile strength at break: 8 MPa
Ultimate elongation: > 250 %
Dielectric strength: > 20 kV/mm
Specification: HB UL94
Application: closure of unused entries.
 They allow the passage of cables or conduits through the membrane by ensuring a dust free fit.

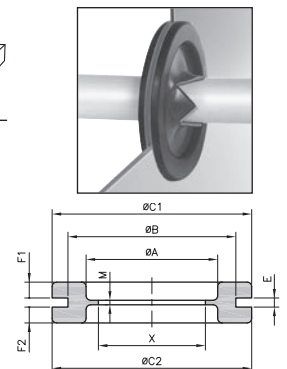


• Membrane grommets

| type | article number | | | dimensions (mm) | | | | | | | | pcs |
|--------------|----------------|---------------|---------------|-----------------|------|------|------|-----|-----|-----|-----|-----|
| | black 010 | grey 025 | white 001 | Ø A | Ø B | Ø C1 | Ø C2 | E | F1 | F2 | M | |
| DG-PVC 9 | 0133 0351 010 | 0133 0351 025 | 0133 0351 001 | 9 | 15 | 20 | 18 | 2 | 2,5 | 2,5 | 1 | 100 |
| DG-PVC 11 | 0133 0352 010 | 0133 0352 025 | 0133 0352 001 | 11 | 18 | 22,5 | 21,5 | 2 | 2,5 | 2,5 | 1 | 100 |
| DG-PVC 13,5 | 0133 0353 010 | 0133 0353 025 | 0133 0353 001 | 13,5 | 20 | 24 | 24 | 2 | 2,5 | 2,5 | 1 | 100 |
| DG-PVC 16 | 0133 0354 010 | 0133 0354 025 | 0133 0354 001 | 16 | 22 | 27,5 | 26 | 2 | 2,7 | 2,7 | 1 | 100 |
| DG-PVC 16/E3 | 0133 0360 010 | - | - | 16 | 22 | 27,5 | 26 | 3 | 2,7 | 2,7 | 2 | 100 |
| DG-PVC 21 | 0133 0355 010 | 0133 0355 025 | 0133 0355 001 | 21 | 28 | 34,5 | 34,5 | 2 | 3 | 3 | 1 | 100 |
| DG-PVC 21/E1 | 0133 0359 010 | - | - | 21 | 28 | 34,5 | 34,5 | 1 | 4 | 3 | 1,2 | 100 |
| DG-PVC 29 | 0133 0356 010 | - | - | 29 | 36,5 | 43 | 43 | 2,2 | 3,7 | 3,7 | 1,5 | 50 |
| DG-PVC 36 | 0133 0357 010 | - | - | 35 | 46 | 52,5 | 52,5 | 2,5 | 3,8 | 3,8 | 1,3 | 50 |
| DG-PVC 48 | 0133 0358 010 | - | - | 46,5 | 59 | 66,2 | 66,2 | 2,5 | 4 | 4 | 1,6 | 50 |
| DG-PVC M20 | 0133 0510 010 | 0133 0510 025 | - | 13,5 | 20 | 24 | 24 | 2 | 2,5 | 2,5 | 1 | 100 |
| DG-PVC M25 | 0133 0511 010 | 0133 0511 025 | - | 21 | 25 | 34,5 | 34,5 | 2 | 3 | 3 | 1 | 100 |
| DG-PVC M32 | 0133 0512 010 | 0133 0512 025 | - | 29 | 32 | 43 | 43 | 2 | 3,5 | 3,5 | 1,5 | 100 |

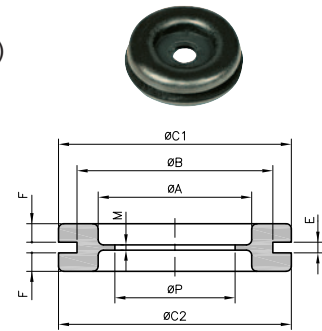
• Cross-cut membrane grommets (other cut-outs possible upon request)

| type | article number 010 | dimensions (mm) | | | | | | | | pcs | |
|---------------|-----------------------|-----------------|------|------|------|-----|-----|-----|------|-----|-----|
| | | Ø A | Ø B | Ø C1 | Ø C2 | E | F1 | F2 | X | | M |
| DGC-PVC 9 | 0133 0451 010 | 9 | 15 | 20 | 18 | 2 | 2,5 | 2,5 | 8 | 1 | 100 |
| DGC-PVC 11 | 0133 0452 010 | 11 | 18 | 22,5 | 21,5 | 2 | 2,5 | 2,5 | 10 | 1 | 100 |
| DGC-PVC 13,5 | 0133 0453 010 | 13,5 | 20 | 24 | 24 | 2 | 2,5 | 2,5 | 10 | 1 | 100 |
| DGC-PVC 16 | 0133 0454 010 | 16 | 22 | 27,5 | 26 | 2 | 2,7 | 2,7 | 14 | 1 | 100 |
| DGC-PVC 21 | 0133 0455 010 | 21 | 28 | 34,5 | 34,5 | 2 | 3 | 3 | 17 | 1 | 100 |
| DGC-PVC 21/E1 | 0133 0456 010 | 21 | 28 | 34,5 | 34,5 | 1 | 4 | 3 | 19,5 | 1,2 | 100 |
| DGC-PVC 29 | 0133 0457 010 | 29 | 36,5 | 43 | 43 | 2,2 | 3,7 | 3,7 | 25 | 1,5 | 50 |
| DGC-PVC 36 | 0133 0458 010 | 35 | 46 | 52,5 | 52,5 | 2,5 | 3,8 | 3,8 | 32 | 1,3 | 50 |
| DGC-PVC 48 | 0133 0464 010 | 46,5 | 59 | 66,2 | 66,2 | 2,5 | 4 | 4 | 42 | 1,6 | 50 |



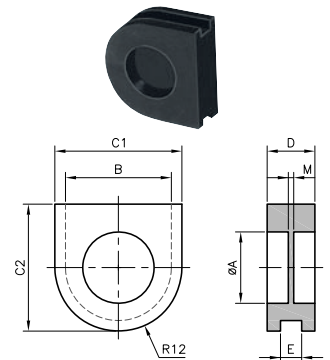
• Grommets with perforated membrane (other cut-outs possible upon request)

| type | article number | dimensions (mm) | | | | | | | | pcs |
|----------------|----------------|-----------------|-----|------|------|---|-----|---|-----|-----|
| | | Ø A | Ø B | Ø C1 | Ø C2 | E | F | M | Ø P | |
| DG-PVC 11/4,5 | 0133 0402 010 | 11 | 18 | 22,5 | 21,5 | 2 | 2,5 | 1 | 4,5 | 100 |
| DG-PVC 16/7 E3 | 0133 0412 010 | 16 | 22 | 27,5 | 26 | 3 | 2,7 | 2 | 7 | 100 |



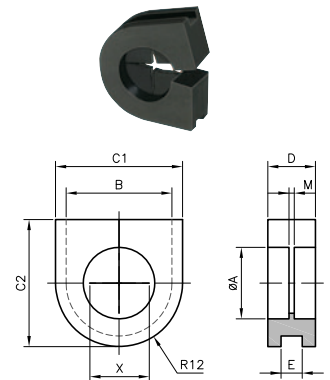
• Special membrane grommets

| type | article number | dimensions (mm) | | | | | | | pcs |
|----------------|----------------|-----------------|----|----|----|---|---|---|-----|
| | | Ø A | B | C1 | C2 | D | E | M | |
| DG-PVC 14-747 | 0133 0101 010 | 13,5 | 20 | 24 | 24 | 9 | 4 | 1 | 100 |
| DG-PVC 14-1475 | 0133 0102 010 | 13,5 | 20 | 24 | 24 | 9 | 2 | 1 | 100 |



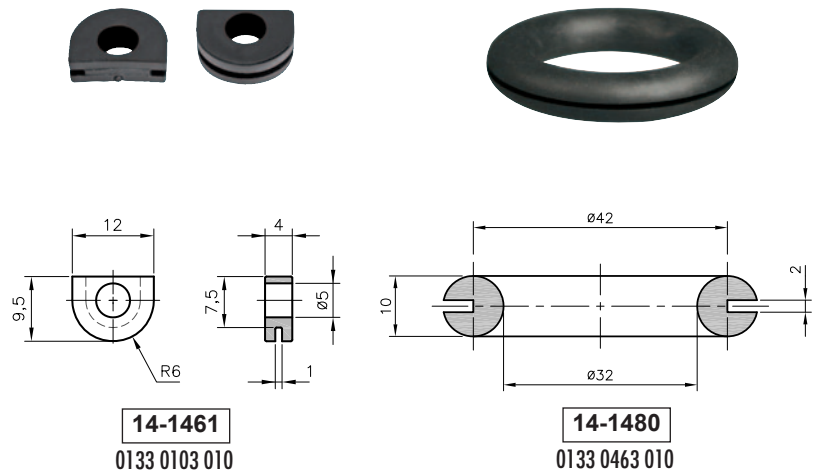
• Cross-cut membrane grommets cut

| type | article number | dimensions (mm) | | | | | | | | pcs |
|-------------------|----------------|-----------------|----|----|----|---|---|---|----|-----|
| | | Ø A | B | C1 | C2 | D | E | M | X | |
| DGC-PVC 14-747/F | 0133 0459 010 | 13,5 | 20 | 24 | 24 | 9 | 4 | 1 | 12 | 100 |
| DGC-PVC 14-1475/F | 0133 0460 010 | 13,5 | 20 | 24 | 24 | 9 | 2 | 1 | 12 | 100 |



• Special grommets

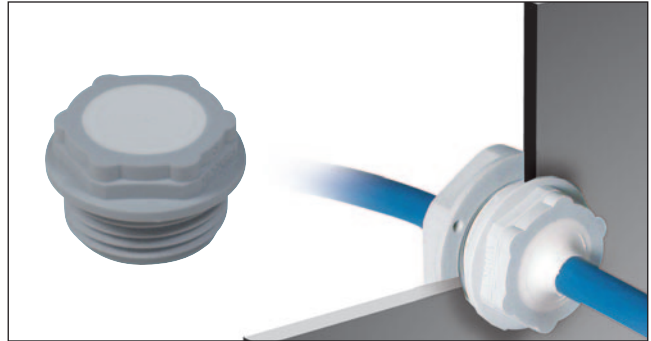
| type | article number | pcs |
|-------------|----------------|-----|
| 14-1461 PVC | 0133 0103 010 | 100 |
| 14-1480 PVC | 0133 0463 010 | 50 |



DG-MS

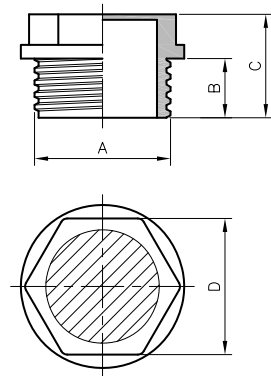
Material body: PP
Material membrane: TPE
Colour: light grey
Operating temperatures: -30 to +80°C
Protection rating: IP 66 according to EN 60 529

Application: hexagonal membrane grommet with screw thread that allows single cables, flat cables or several cables of small diameters to pass through it.



Delivered without lock-nut.

| type | article number | Ø cable max. (mm) | A mm | B mm | C mm | D mm | Ø boring mm | pcs |
|----------|----------------|-------------------|-----------|------|------|------|-------------|-----|
| DG-MS 16 | 0133 0601 025 | 9 | M16 x 1,5 | 9 | 15 | 17 | 16,5 | 100 |
| DG-MS 20 | 0133 0602 025 | 13 | M20 x 1,5 | 9 | 15 | 20 | 20,5 | 100 |
| DG-MS 25 | 0133 0603 025 | 18 | M25 x 1,5 | 9 | 15 | 24 | 25,5 | 100 |
| DG-MS 32 | 0133 0604 025 | 25 | M32 x 1,5 | 9 | 15 | 32 | 32,5 | 100 |



A8/2-03



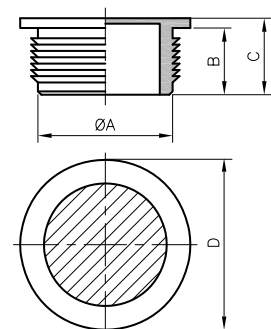
DG-MT

Material body: PE
Material membrane: TPE
Colour: light grey
Operating temperatures: -40 to +80°C
Protection rating: IP 66 according to EN 60 529

Application: round membrane grommet in TPE to clip in that allows single cables, flat cables or several cables of small diameters to pass through it.



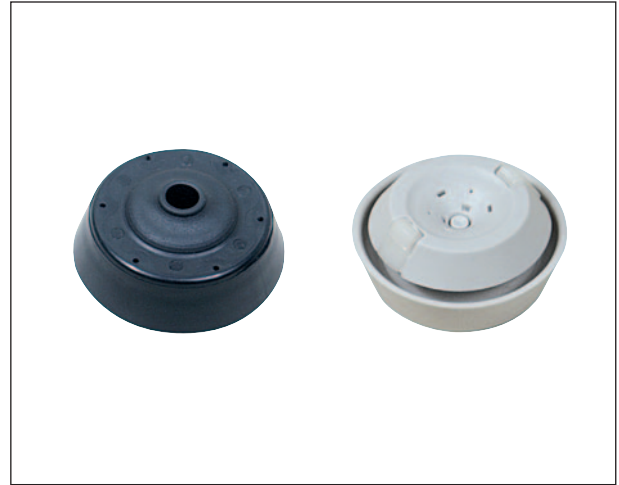
| type | article number | Ø cable max. (mm) | Ø A mm | B mm | C mm | D mm | Ø boring mm | pcs |
|----------|----------------|-------------------|--------|------|------|------|-------------|-----|
| DG-MT 16 | 0133 0611 025 | 9 | 16 | 9,5 | 11 | 21,2 | 16,5 | 100 |
| DG-MT 20 | 0133 0612 025 | 13 | 20 | 9,5 | 11 | 25,2 | 20,5 | 100 |
| DG-MT 25 | 0133 0613 025 | 18 | 25 | 9,5 | 11 | 30,2 | 25,5 | 100 |
| DG-MT 32 | 0133 0614 025 | 25 | 32 | 9,5 | 11 | 37,2 | 32,5 | 100 |



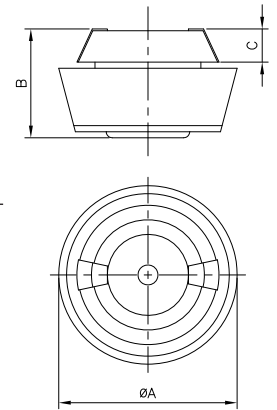
PLIOFIX

Material: TPE and PA
Colours: black
 grey
Operating temperatures: -20 to +125°C
Protection rating: IP 65

Application: they allow the passage of cables or conduits through their membranes allowing a dust free fit. They combine the advantages of grommets and a gland. They are in particular compact parts offering ease of use and speedy assembly.



| type | article number | | cable-Ø mm | hole-Ø mm | metal thickness mm | Ø A mm | B mm | C mm | pcs |
|--------------------|----------------|---------------|---------------|--------------|--------------------------|-----------|---------|---------|-----|
| | black 010 | grey 025 | | | | | | | |
| PLIOFIX M20 | 0144 0603 010 | 0144 0603 025 | 4-11 | 20,5 | 2-5 | 29,3-34,5 | 17-20 | 5,5 | 50 |
| PLIOFIX M25 | 0144 0604 010 | 0144 0604 025 | 4-13 | 25,5 | 2-5 | 34,3-40 | 17-20 | 5,5 | 50 |



Instructions

