

**STRIPAX PLUS 2.5****Weidmüller Interface GmbH & Co. KG**Klingenbergstraße 26  
D-32758 Detmold  
Germany

www.weidmueller.com



Cutting, stripping and crimping tools for connected wire-end ferrules strips

- Cutting
- Stripping
- Crimping
- Automatic feeding of wire end ferrules
- Ratchet guarantees precise crimping
- Release option in the event of incorrect operation
- Efficient: only one tool needed for cable work, and thus significant time saved
- Only strips of linked wire end ferrules, each containing 50 pieces, from Weidmüller may be processed. The use of wire end ferrules on reels may lead to destruction.

**General ordering data**

Version	Cutting, stripping and crimping tool, Crimping tool for wire-end ferrules, 0.5mm <sup>2</sup> , 2.5mm <sup>2</sup> , Trapezoidal crimp
Order No.	<a href="#">9020000000</a>
Type	STRIPAX PLUS 2.5
GTIN (EAN)	4008190067267
Qty.	1 items

**STRIPAX PLUS 2.5**

**Weidmüller Interface GmbH & Co. KG**  
 Klingenbergstraße 26  
 D-32758 Detmold  
 Germany

www.weidmueller.com

**Technical data**

**Dimensions and weights**

Width	210 mm	Width (inches)	8.2677 inch
Net weight	248.63 g		

**Environmental Product Compliance**

RoHS Compliance Status	Not affected
REACH SVHC	Lead 7439-92-1
SCIP	2159813b-98fd-4068-b62a-bc89a046c012

**Technical data**

Description of article	(1)Crimping tool	Version	Mechanical, without interchangeable inserts
------------------------	------------------	---------	---

**Description of contact**

Type of contact	Strips of linked wire-end ferrules	Conductor cross-section, max. AWG	AWG 14
Conductor cross-section, min. AWG	AWG 20	Crimping range, max.	2.5 mm <sup>2</sup>
Crimping range, min.	0.5 mm <sup>2</sup>		

**tool data crimping**

Wire end ferrules cross-section, max.	2.5 mm <sup>2</sup>	Wire end ferrules cross-section, min.	0.5 mm <sup>2</sup>
Crimping type/profile	Trapezoidal crimp		

**Classifications**

ETIM 8.0	EC002109	ETIM 9.0	EC002109
ETIM 10.0	EC002109	ECLASS 14.0	21-04-37-06
ECLASS 15.0	21-04-37-06		

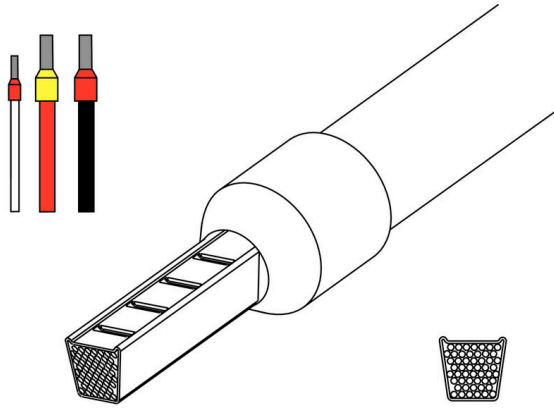
**STRIPAX PLUS 2.5**

**Weidmüller Interface GmbH & Co. KG**  
Klingenbergstraße 26  
D-32758 Detmold  
Germany

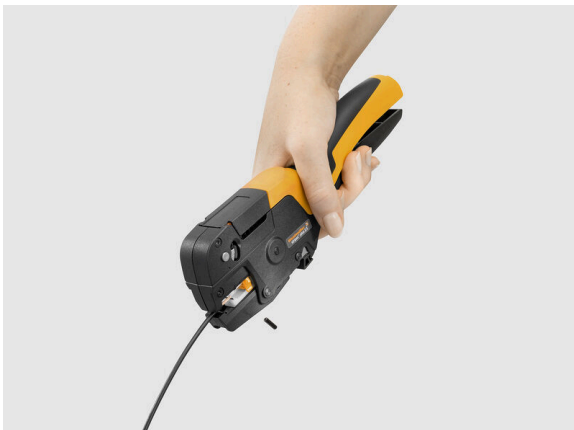
[www.weidmueller.com](http://www.weidmueller.com)

**Drawings**

**Example of use**



**Example of use**



**Example of use**



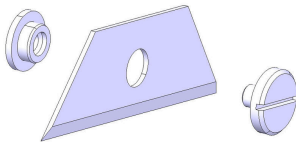
## STRIPAX PLUS 2.5

**Weidmüller Interface GmbH & Co. KG**  
 Klingenbergstraße 26  
 D-32758 Detmold  
 Germany

www.weidmueller.com

## Accessories

## Accessories / replacement parts



Cutting, stripping and crimping tools for connected wire-end ferrules strips

- Cutting
- Stripping
- Crimping
- Automatic feeding of wire end ferrules
- Ratchet guarantees precise crimping
- Release option in the event of incorrect operation
- Efficient: only one tool needed for cable work, and thus significant time saved
- Only strips of linked wire end ferrules, each containing 50 pieces, from Weidmüller may be processed. The use of wire end ferrules on reels may lead to destructon.

## General ordering data

Type	ERSATZMESSER STRIPAX PL	Version
Order No.	<a href="#">9050340000</a>	Spare cutting blade
GTIN (EAN)	4008190350949	
Qty.	5 ST	
Type	ERTE AIME SPX P II	Version
Order No.	<a href="#">2917160000</a>	Cutting blade
GTIN (EAN)	4099986548121	
Qty.	1 ST	

## Strip of wire end ferrules



- Linked of wire-end ferrule strips (50 pcs.)
- Weidmüller colour code
- DIN colour code

## General ordering data

Type	H0,5/14 OR BD	Version
Order No.	<a href="#">9004270000</a>	Wire-end ferrule, Standard, 10 mm, 8 mm, orange
GTIN (EAN)	4008190091774	
Qty.	500 ST	
Type	H0,5/14D W BD	Version
Order No.	<a href="#">9004280000</a>	Wire-end ferrule, Standard, 10 mm, 8 mm, white
GTIN (EAN)	4008190162627	
Qty.	500 ST	
Type	H0,5/14T W BD	Version
Order No.	<a href="#">9021930000</a>	Wire-end ferrule, Standard, 10 mm, 8 mm, white
GTIN (EAN)	4008190262402	
Qty.	500 ST	
Type	H0,75/14 W BD	Version
Order No.	<a href="#">9004290000</a>	Wire-end ferrule, Standard, 10 mm, 8 mm, white
GTIN (EAN)	4008190006778	
Qty.	500 ST	

## STRIPAX PLUS 2.5

**Weidmüller Interface GmbH & Co. KG**  
 Klingenbergstraße 26  
 D-32758 Detmold  
 Germany

www.weidmueller.com

## Accessories

Type	H0,75/14D GR BD	Version
Order No.	<a href="#">9004300000</a>	Wire-end ferrule, Standard, 10 mm, 8 mm, grey
GTIN (EAN)	4008190154837	
Qty.	500 ST	
Type	H0,75/14T HBL BD	Version
Order No.	<a href="#">9004310000</a>	Wire-end ferrule, Standard, 10 mm, 8 mm, Light Blue
GTIN (EAN)	4008190179298	
Qty.	500 ST	
Type	H1,0/14 GE BD	Version
Order No.	<a href="#">9004320000</a>	Wire-end ferrule, Standard, 10 mm, 8 mm, yellow
GTIN (EAN)	4008190167523	
Qty.	500 ST	
Type	H1,0/14D R BD	Version
Order No.	<a href="#">9004330000</a>	Wire-end ferrule, Standard, 10 mm, 8 mm, red
GTIN (EAN)	4008190047498	
Qty.	500 ST	
Type	H1,0/14T R BD	Version
Order No.	<a href="#">9021950000</a>	Wire-end ferrule, Standard, 10 mm, 8 mm, red
GTIN (EAN)	4008190262747	
Qty.	500 ST	
Type	H1,5/14 R BD	Version
Order No.	<a href="#">9004340000</a>	Wire-end ferrule, Standard, 10 mm, 8 mm, red
GTIN (EAN)	4008190080723	
Qty.	500 ST	
Type	H1,5/14D SW BD	Version
Order No.	<a href="#">9004350000</a>	Wire-end ferrule, Standard, 10 mm, 8 mm, black
GTIN (EAN)	4008190005474	
Qty.	500 ST	
Type	H1,5/14T SW BD	Version
Order No.	<a href="#">9021960000</a>	Wire-end ferrule, Standard, 10 mm, 8 mm, black
GTIN (EAN)	4008190262389	
Qty.	500 ST	
Type	H2,5/14D BL BD	Version
Order No.	<a href="#">9004360000</a>	Wire-end ferrule, Standard, 12 mm, 8 mm, blue
GTIN (EAN)	4008190083397	
Qty.	500 ST	
Type	H2,5/14T GR BD	Version
Order No.	<a href="#">9004370000</a>	Wire-end ferrule, Standard, 10 mm, 8 mm, grey
GTIN (EAN)	4008190052508	
Qty.	500 ST	

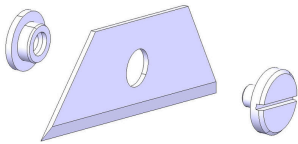
## STRIPAX PLUS 2.5

**Weidmüller Interface GmbH & Co. KG**  
 Klingenbergstraße 26  
 D-32758 Detmold  
 Germany

www.weidmueller.com

## Accessories

### Accessories / replacement parts



Cutting, stripping and crimping tools for connected wire-end ferrules strips

- Cutting
- Stripping
- Crimping
- Automatic feeding of wire end ferrules
- Ratchet guarantees precise crimping
- Release option in the event of incorrect operation
- Efficient: only one tool needed for cable work, and thus significant time saved
- Only strips of linked wire end ferrules, each containing 50 pieces, from Weidmüller may be processed. The use of wire end ferrules on reels may lead to destructon.

### General ordering data

Type	ERSATZMESSER STRIPAX PL	Version
Order No.	<a href="#">9050340000</a>	Spare cutting blade
GTIN (EAN)	4008190350949	
Qty.	5 ST	
Type	ERTE AIME SPX P II	Version
Order No.	<a href="#">2917160000</a>	Cutting blade
GTIN (EAN)	4099986548121	
Qty.	1 ST	