

IE-TO-SCD-MM

Weidmüller Interface GmbH & Co. KG

Klingenbergstraße 26

D-32758 Detmold

Germany

www.weidmueller.com



Mounting rail outlet, SC duplex junction design according to IEC 61754-4

General ordering data

Version	Mounting rail outlet, fibre-optic, SC duplex, Multimode, GOF, POF, IP20
Order No.	8946970000
Type	IE-TO-SCD-MM
GTIN (EAN)	4032248734979
Qty.	10 items

IE-TO-SCD-MM

Weidmüller Interface GmbH & Co. KG

Klingenbergstraße 26

D-32758 Detmold

Germany

www.weidmueller.com

Technical data

Approvals

Approvals



ROHS	Conform
UL File Number Search	UL Website
Certificate No. (UL)	E477798

Dimensions and weights

Depth	67 mm	Depth (inches)	2.6378 inch
Width	17.5 mm	Width (inches)	0.689 inch
Length	59.6 mm	Length (inches)	2.3465 inch
Net weight	40.1 g		

Temperatures

Storage temperature	Operating temperature	-40 °C...70 °C
Installation temperature		

Environmental Product Compliance

RoHS Compliance Status	Compliant with exemption
RoHS Exemption (if applicable/known)	6a
REACH SVHC	Lead 7439-92-1

General data

Colour	Light Grey	Housing main material	PA UL 94 V0
Type of mounting	TS 35	Protection degree	IP20
Plugging cycles	1000	Fibre type	Multimode, GOF, POF
Insertion loss	≤ 0.4 dB	Connection 1	SC-Duplex
Connection 2	SC-Duplex		

General standards

Connector standard	IEC 61754-4	Certificate No. (UL)	E477798
--------------------	-------------	----------------------	---------

Classifications

ETIM 8.0	EC000313	ETIM 9.0	EC000313
ETIM 10.0	EC000313	ECLASS 14.0	27-44-03-20
ECLASS 15.0	27-44-03-20		

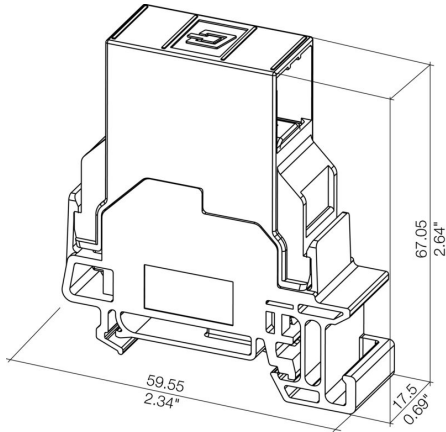
IE-TO-SCD-MM

Weidmüller Interface GmbH & Co. KG
Klingenbergstraße 26
D-32758 Detmold
Germany

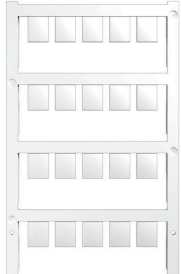
Drawings

www.weidmueller.com

Dimensioned drawing



Blank



ESG is the tried-and-tested marker in MultiCard format for use on many well-known electrical devices. The result is high-quality device marking with a high-contrast appearance.

Various types are available for devices from manufacturers like Siemens, ABB, Beckhoff etc.

Advantages at a glance:

- Tags for universal usage, self-adhesive or clip-on tags, depending on type
- For aligned equipment, e.g. circuit breakers, we supply ESG markers for clipping onto tag rails
- Individual laser-quality printing according to specifications

For custom printing: Please send us a file of our labeling software M-Print PRO or M-Print PRO Online (without installation) for your labeling specifications.

General ordering data

Type	ESG 9/11 K MC NE WS	Version	
Order No.	1857440000		ESG, Device markers x 11 mm, PA 66, Colour: white, Self-adhesive
GTIN (EAN)	4032248402731		
Qty.	200 ST		