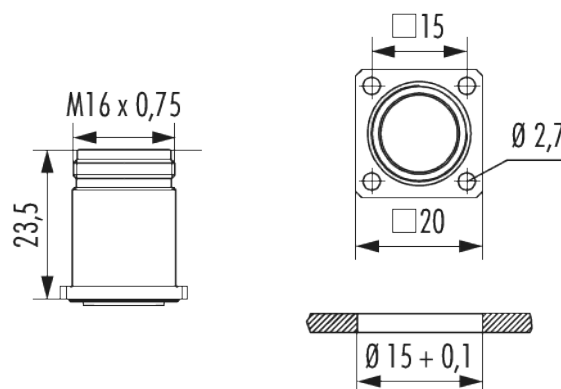


Housing INOX panel connector M16

Item number 784040000



Technical data

Material housing	Stainless steel 1.4404 (AISI 316)
Material housing surface	-
Installation type	Rear wall
Version	Screw
External thread plug-in side	M16 x 0,75
Internal thread plug-in side	-
Locking type	Screw
Shield	unshielded
Seal type	O-Ring
Material seals/o-rings	FKM (FPM) , alternatively EPDM
Flange	20 x 20 mm
Hole distance	15 mm
Hole diameter	4 x Ø 2,7 mm
Wrench size (SW1/SW2)	/ mm
Temperature range	-40°C to +125°C
Protection class	IP 67 , IP 69 K

Housing INOX panel connector M16

Item number 7840400000

Commercial data

Packaging Unit	5
EAN code	4033878504840
Weight	0.015 kg
ETIM 7	EC003556
ETIM 8	EC003556
ETIM 9	EC003556
eCl@ss 10.1	27440224
Customs tariff number	85366990

Note:

