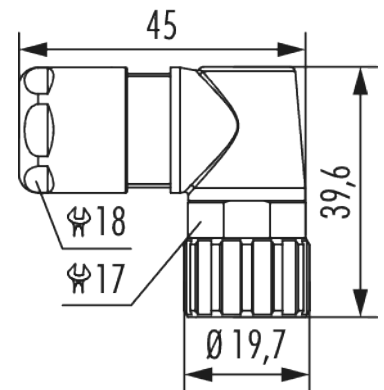


Housing right angle cable connector M16

Item number 783150000



Technical data

| | |
|-------------------------------------|-----------------------|
| Material housing | Zinc Die Cast , brass |
| Material housing surface | Nickel |
| Version | Screw , orientable |
| Internal thread plug-in side | M16 x 0,75 |
| Knurled nut-Ø plug-in side | 19.7 mm |
| Locking type | Screw |
| Shield | shielded |
| Material seals/o-rings | NBR |
| Wrench size (SW1/SW2) | 18/17 mm |
| Cable diameter | 8 - 11 mm |
| Temperature range | -40°C to +125°C |
| Protection class | IP 67 , IP 69 K |

Housing right angle cable connector M16

Item number 7831500000

Commercial data

| | |
|------------------------------|---------------|
| Packaging Unit | 25 |
| EAN code | 4033878504802 |
| Weight | 0.0531 kg |
| ETIM 7 | EC003556 |
| ETIM 8 | EC003556 |
| ETIM 9 | EC003556 |
| eCl@ss 10.1 | 27440224 |
| Customs tariff number | 85366990 |

Note:

