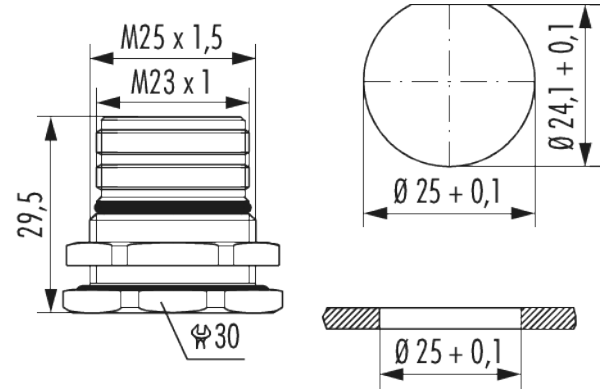


# Housing panel connector M23 Signal rear wall

Item number 745800000



## Technical data

<b>Material housing</b>	Copper-Zinc alloy
<b>Material housing surface</b>	Nickel
<b>Installation type</b>	Rear wall
<b>Version</b>	Screw
<b>External thread (AG)</b>	M25 x 1,5
<b>External thread plug-in side</b>	M23 x 1
<b>Locking type</b>	Screw
<b>Shield</b>	unshielded
<b>Seal type</b>	O-Ring
<b>Material seals/o-rings</b>	NBR
<b>Coding position</b>	
<b>Panel hole</b>	Ø 25 + 0,1 mm
<b>Drill form</b>	D 24,1 + 0,1 mm, D Ø 25 + 0,1 mm
<b>Flange</b>	- mm
<b>Length (L)</b>	29.5 mm
<b>Allen key/Torx</b>	-



# Housing panel connector M23 Signal rear wall

Item number 7458000000

<b>Wrench size (SW)</b>	30 mm
<b>Protection class</b>	IP 67 , IP 69 K
<b>Temperature range</b>	-40°C to +125°C



# Housing panel connector M23 Signal rear wall

Item number 745800000

## Commercial data

<b>Packaging Unit</b>	25
<b>EAN code</b>	4033878503652
<b>Weight</b>	0.04828 kg
<b>ETIM 7</b>	EC003556
<b>ETIM 8</b>	EC003556
<b>ETIM 9</b>	EC003556
<b>eCl@ss 10.1</b>	27440224
<b>Customs tariff number</b>	85366990

Note:

