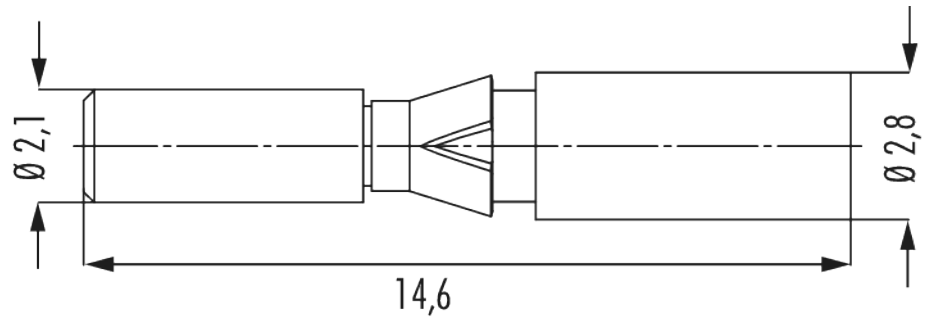
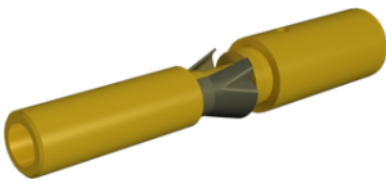


# Contact M16 / M23 Signal crimp socket 1,25 mm

Item number 7010981212



## Technical data

<b>Characteristic of connection</b>	Crimp
<b>Insert</b>	Socket
<b>Crimp contact</b>	Crimp socket signal 1,25 mm machined
<b>Material contact</b>	Copper-zinc alloy
<b>Material contact surface</b>	nickel, gold plated (0.25 $\mu\text{m}$ )
<b>Contact-<math>\varnothing</math> signal</b>	1.25 mm
<b>Length (L)</b>	14.6 mm
<b>Crimp range</b>	0.34 - 1.5 mm <sup>2</sup>
<b>Suitable crimping tool</b>	7000900904

# Contact M16 / M23 Signal crimp socket 1,25 mm

Item number 7010981212

## Commercial data

<b>Packaging Unit</b>	100
<b>EAN code</b>	4033878502365
<b>Weight</b>	0.00035 kg
<b>ETIM 7</b>	EC000796
<b>ETIM 8</b>	EC000796
<b>ETIM 9</b>	EC000796
<b>eCl@ss 10.1</b>	27440204
<b>Customs tariff number</b>	85366990

Note:

