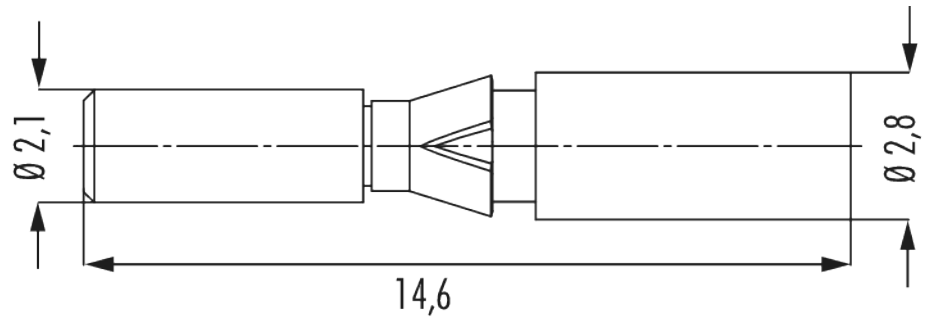
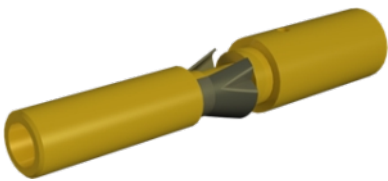


Contact M16 / M23 Signal crimp socket 1,25 mm

Item number 7010981212



Technical data

Characteristic of connection	Crimp
Insert	Socket
Crimp contact	Crimp socket signal 1,25 mm machined
Material contact	Copper-zinc alloy
Material contact surface	nickel, gold plated (0.25 µm)
Contact-Ø signal	1.25 mm
Length (L)	14.6 mm
Crimp range	0.34 - 1.5 mm ²
Suitable crimping tool	7000900904

Contact M16 / M23 Signal crimp socket 1,25 mm

Item number 7010981212

Commercial data

Packaging Unit	100
EAN code	4033878502365
Weight	0.00035 kg
ETIM 7	EC000796
ETIM 8	EC000796
ETIM 9	EC000796
eCl@ss 10.1	27440204
Customs tariff number	85366990

Note:

