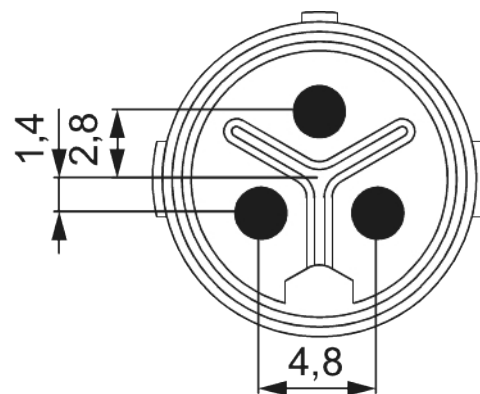
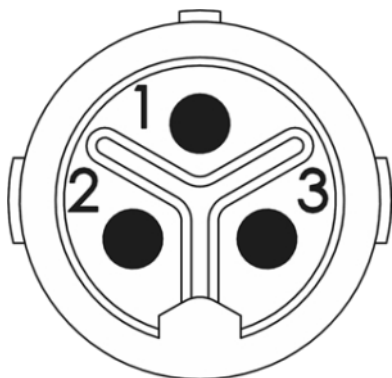


Contact insert M16 - 3-pole

Item number 7003983102



Technical data

Characteristic of connection	Crimp
Number of poles	3
Pole picture	3
Insert	Socket
Color contact insert	white
Material insulating body	PA 6 , PBT
Number of contacts power	3
Contact-Ø power	2 mm
Nominal current power	20 A
Nominal voltage at degree of pollution 3 power	250 V~
Test voltage power	1500 V~
Insulation resistance power	$> 10^8 \Omega$
max. contact resistance power	3 mOhm
Temperature range	-40°C to +125°C
Degree of Protection	3



Contact insert M16 - 3-pole

Item number 7003983102

Flammability	V-0 (UL 94)
Suitable power contacts	7010982002



Contact insert M16 - 3-pole

Item number 7003983102

Commercial data

Packaging Unit	25
EAN code	4033878501573
Weight	0.00296 kg
ETIM 7	EC003557
ETIM 8	EC003557
ETIM 9	EC003557
eCl@ss 10.1	27440223
Customs tariff number	85472000

Note:

