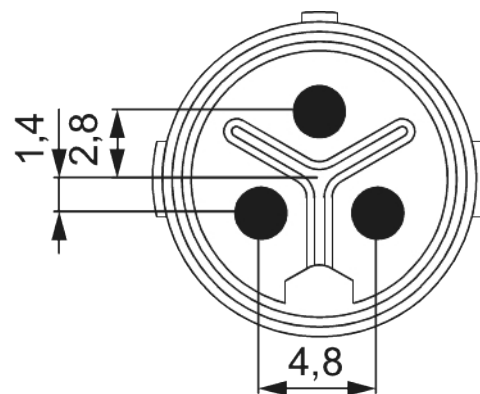
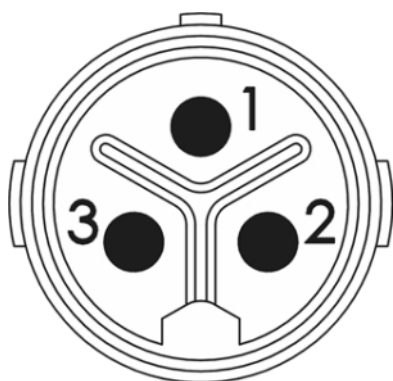


Contact insert M16 - 3-pole

Item number 7003983101



Technical data

| | |
|--|----------------------|
| Characteristic of connection | Crimp |
| Number of poles | 3 |
| Pole picture | 3 |
| Insert | Pin |
| Color contact insert | white |
| Material insulating body | PA 6 , PBT |
| Number of contacts power | 3 |
| Contact-Ø signal | 2 mm |
| Nominal current power | 20 A |
| Nominal voltage at degree of pollution 3 power | 400 V~ |
| Test voltage power | 2500 V~ |
| Insulation resistance power | > 10 ¹⁰ Ω |
| max. contact resistance signal | 3 mOhm |
| Temperature range | -40°C to +125°C |
| Degree of Protection | 3 |



Contact insert M16 - 3-pole

Item number 7003983101

| | |
|---------------------|-------------|
| Flammability | V-0 (UL 94) |
|---------------------|-------------|

| | |
|--------------------------------|------------|
| Suitable power contacts | 7010982001 |
|--------------------------------|------------|



Contact insert M16 - 3-pole

Item number 7003983101

Commercial data

| | |
|------------------------------|---------------|
| Packaging Unit | 25 |
| EAN code | 4033878501566 |
| Weight | 0.0021 kg |
| ETIM 7 | EC003557 |
| ETIM 8 | EC003557 |
| ETIM 9 | EC003557 |
| eCl@ss 10.1 | 27440223 |
| Customs tariff number | 85472000 |

Note:

