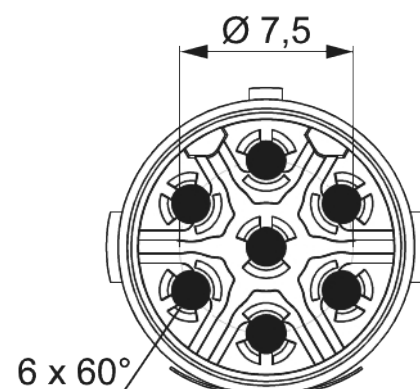
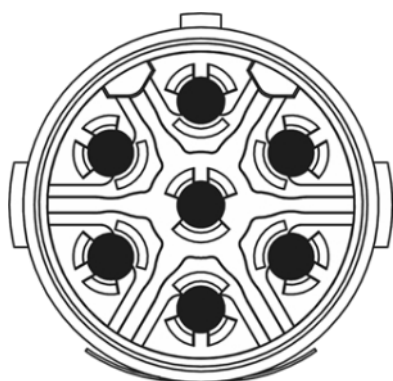


# Contact insert M16 - 7-pole

Item number 7003961101



## Technical data

Characteristic of connection	Crimp
Number of poles	7
Pole picture	6 + PE
Coding	PE
Insert	Pin
Color contact insert	white
Material insulating body	PA 6 , PBT
Number of contacts power	6
Number of contacts PE	1
Contact-Ø signal	1.25 mm
Nominal current power	16 A
Nominal voltage at degree of pollution 3 power	500 V $\sim$
Test voltage power	1500 V $\sim$
Insulation resistance power	> 10 <sup>8</sup> $\Omega$
max. contact resistance power	3 mOhm



# Contact insert M16 - 7-pole

Item number 7003961101

<b>Temperature range</b>	-40°C to +125°C
<b>Degree of Protection</b>	3
<b>Flammability</b>	V-0 (UL 94)
<b>Suitable Signal contacts</b>	7010981211

# Contact insert M16 - 7-pole

Item number 7003961101

## Commercial data

<b>Packaging Unit</b>	25
<b>EAN code</b>	4033878501535
<b>Weight</b>	0.00195 kg
<b>ETIM 7</b>	EC003557
<b>ETIM 8</b>	EC003557
<b>ETIM 9</b>	EC003557
<b>eCl@ss 10.1</b>	27440223
<b>Customs tariff number</b>	85472000

Note:

