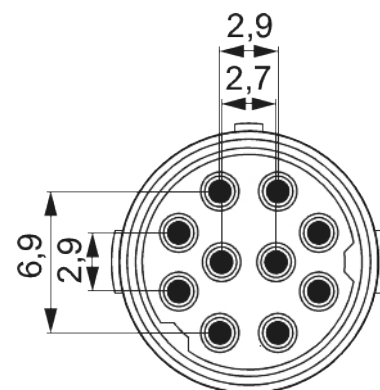
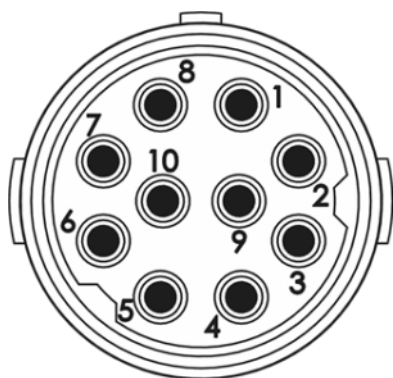


# Contact insert M16 - 10-pole

Item number 7003910101



## Technical data

Characteristic of connection	Crimp
Number of poles	10
Pole picture	10
Insert	Pin
Color contact insert	white
Material insulating body	PA 6 , PBT
Number of contacts signal	10
Contact-Ø signal	1 mm
Nominal current signal	8 A
Nominal voltage at degree of pollution 3 signal	40 V <sup>~</sup>
Test voltage signal	500 V <sup>~</sup>
Insulation resistance signal	> 10 <sup>8</sup> Ω
max. contact resistance signal	3 mOhm
Temperature range	-40°C to +125°C
Degree of Protection	3



# Contact insert M16 - 10-pole

Item number 7003910101

<b>Flammability</b>	V-0 (UL 94)
<b>Suitable power contacts</b>	7010981001



# Contact insert M16 - 10-pole

Item number 7003910101

## Commercial data

<b>Packaging Unit</b>	25
<b>EAN code</b>	4033878501337
<b>Weight</b>	0.0022 kg
<b>ETIM 7</b>	EC003557
<b>ETIM 8</b>	EC003557
<b>ETIM 9</b>	EC003557
<b>eCl@ss 10.1</b>	27440223
<b>Customs tariff number</b>	85472000

Note:

