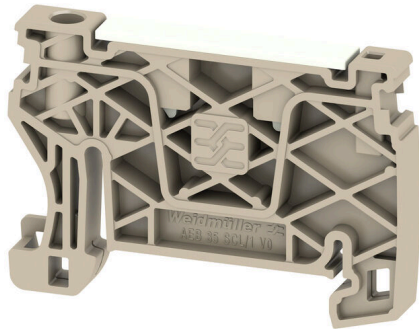


AEB 35 SCL/1 V0 DL

Weidmüller Interface GmbH & Co. KG
Klingenbergstraße 26
D-32758 Detmold
Germany

www.weidmueller.com

Product image

Weidmüller's range of products includes end brackets that guarantee a permanent, reliable mounting on the terminal rail and prevent sliding. Versions with and without screws are available. The end brackets include marking options, also for group markers, and also a test plug holder.

General ordering data

Version	A-series, End bracket
Order No.	2570240000
Type	AEB 35 SCL/1 V0 DL
GTIN (EAN)	4050118580259
Qty.	50 items

AEB 35 SCL/1 V0 DL

Weidmüller Interface GmbH & Co. KG
 Klingenbergstraße 26
 D-32758 Detmold
 Germany

www.weidmueller.com

Technical data

Approvals

ROHS	Conform
------	---------

Dimensions and weights

Depth	36.5 mm	Depth (inches)	1.437 inch
Depth including DIN rail	37 mm	Height	52.6 mm
Height (inches)	2.0709 inch	Width	6 mm
Width (inches)	0.2362 inch	Net weight	6.09 g

Temperatures

Storage temperature	-25 °C...55 °C	Ambient temperature	-5 °C...40 °C
Continuous operating temp., max.	130 °C		

Environmental Product Compliance

RoHS Compliance Status	Compliant without exemption
REACH SVHC	No SVHC above 0.1 wt%

Material data

Basic material	Wemid	Colour	dark beige
UL 94 flammability rating	V-0		

System specifications

Mounting rail	TS 35
---------------	-------

Additional technical data

Type of mounting	Snap-on	Locking	screwless
------------------	---------	---------	-----------

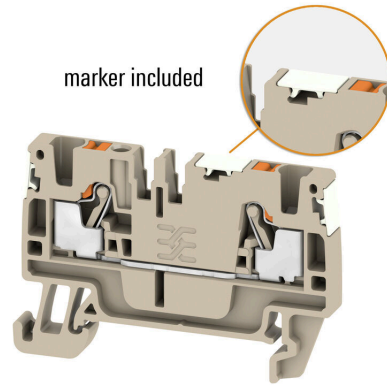
General

Mounting rail	TS 35
---------------	-------

Classifications

ETIM 8.0	EC001041	ETIM 9.0	EC001041
ETIM 10.0	EC001041	ECLASS 14.0	27-25-03-02
ECLASS 15.0	27-25-03-02		

Drawings



AEB 35 SCL/1 V0 DL

Weidmüller Interface GmbH & Co. KG
 Klingenbergstraße 26
 D-32758 Detmold
 Germany

www.weidmueller.com

Accessories

Slotted screwdriver

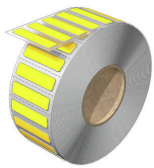


VDE insulated screwdriver sets, for working on live parts up to 1000 V AC and 1500 V DC, DIN EN 60900, IEC 900. Each piece is "GS" safety tested. Blade made from fully hardened, high-alloy chromium-vanadium-molybdenum steel, gun-metal finish.

General ordering data

Type	SDIS SLIM 0.6X3.5X100	Version	
Order No.	2749610000	Mounting tool, Blade width (B): 3.5 mm, Blade length: 100 mm, Blade thickness (A): 0.6 mm	
GTIN (EAN)	4050118896350		
Qty.	1 ST		

WAD



MultiMark

With MultiMark you have a fast and reliable marking system at your disposal to enable virtually any kind of marking. Connectors, conductors, cables or devices – the MultiMark product family offers a well-structured, practical range of markers which can be used in combination with our advanced M-Print® PRO configuration software for all areas of use.

Your benefits with MultiMark

- Firm hold and durable printing
- Continuous strips save installation time
- Easy mounting thanks to an innovative composite material
- Large label field for optimal legibility
- High flexibility thanks to manufacturer independence

General ordering data

Type	WAD-FO 5 MM WS	Version	
Order No.	2969370000	Terminal marker, 5 x 33.3 mm, Weidmueller, white	
GTIN (EAN)	4099986783959		
Qty.	250 ST		