

## ZSI 2.5/5X25

Weidmüller Interface GmbH &amp; Co. KG

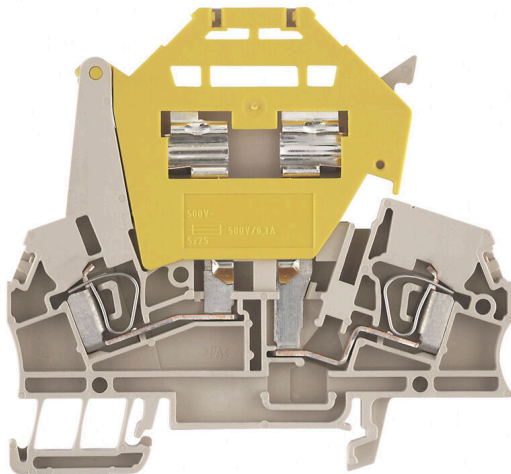
Klingenbergstraße 26

D-32758 Detmold

Germany

www.weidmueller.com

## Product image



Fuse terminal blocks and component terminal blocks allow protective and functional elements to be integrated directly into the terminal strip. Fuse terminal blocks include built-in fuse holders to reliably protect electrical circuits against overload –ideal for control and distribution systems. Component terminal blocks make it possible to incorporate electronic components such as diodes, resistors, or LEDs directly into the wiring. This enables space-saving and clearly arranged implementation of switching functions and signal separation. Both types of terminal blocks ensure higher safety, easy maintenance, and a compact, function-oriented installation.

## General ordering data

Version	Z-series, Fuse terminal, Rated cross-section: 2.5 mm <sup>2</sup> , Tension-clamp connection, dark beige, Direct mounting
Order No.	<a href="#">1730900000</a>
Type	ZSI 2.5/5X25
GTIN (EAN)	4008 190389673
Qty.	50 items

## Technical data

### Approvals

Approvals



ROHS Conform

### Dimensions and weights

Depth	73 mm	Depth (inches)	2.874 inch
Depth including DIN rail	74 mm	Height	79.5 mm
Height (inches)	3.1299 inch	Width	7.9 mm
Width (inches)	0.311 inch	Net weight	20.94 g

### Temperatures

Storage temperature	-25 °C...55 °C	Ambient temperature	-50 °C...75 °C
Continuous operating temp., min.	-50 °C	Continuous operating temp., max.	120 °C

### Environmental Product Compliance

RoHS Compliance Status	Compliant without exemption
REACH SVHC	No SVHC above 0.1 wt%

### Material data

Basic material	Wemid	Colour	dark beige
UL 94 flammability rating	V-0		

### System specifications

Version	Tension-clamp connection, Fuse cartridge, Without LED, for plug-in cross-connector, One end without connector	End cover plate required	Yes
Number of potentials	1	Number of levels	1
Number of clamping points per level	2	Number of potentials per tier	1
Levels cross-connected internally	No	PE connection	No
Mounting rail	TS 35	N-function	No
PE function	No	PEN function	No

### Additional technical data

Open sides	right	Installation advice	Direct mounting
Explosion-tested version	No	Type of mounting	Snap-on

### Conductors for clamping (additional connection)

Connection direction additional connection	top	Conductor cross-section, flexible plus plastic collar DIN 46228/1, further connection, max.	2.5 mm <sup>2</sup>
Connection type, additional connection	Tension-clamp connection		

### Conductors for clamping (rated connection)

Gauge to IEC 60947-1	A3
----------------------	----

## ZSI 2.5/5X25

**Weidmüller Interface GmbH & Co. KG**

Klingenbergstraße 26  
D-32758 Detmold  
Germany

[www.weidmueller.com](http://www.weidmueller.com)

## Technical data

Wire connection cross section AWG, max.	AWG 12		
Connection direction	Inclined / angled		
Stripping length	10 mm		
Type of connection 2	Tension-clamp connection		
Type of connection	Tension-clamp connection		
Number of connections	2		
Clamping range, max.	4 mm <sup>2</sup>		
Clamping range, min.	0.13 mm <sup>2</sup>		
Blade size	0.6 x 3.5 mm		
Wire connection cross section AWG, min.	AWG 30		
Wire connection cross-section, finely stranded with wire-end ferrules DIN 46228/4, min.	0.13 mm <sup>2</sup>		
Wire connection cross-section, finely stranded with wire-end ferrules DIN 46228/1, max.	2.5 mm <sup>2</sup>		
Wire connection cross-section, finely stranded with wire-end ferrules DIN 46228/1, min.	0.13 mm <sup>2</sup>		
Wire connection cross section, finely stranded, max.	4 mm <sup>2</sup>		
Wire connection cross section, finely stranded, min.	0.13 mm <sup>2</sup>		
Connection cross-section, stranded, max.	4 mm <sup>2</sup>		
Connection cross-section, stranded, min.	0.13 mm <sup>2</sup>		
Wire connection cross-section, solid core, max.	4 mm <sup>2</sup>		
Wire connection cross-section, solid core, min.	0.13 mm <sup>2</sup>		
Connection cross-section, finely stranded, min.	0.13 mm <sup>2</sup>		
Tube length for wire-end ferrule with plastic collar DIN 46228/4	Tube length	min.	6 mm
		max.	10 mm
	Cross-section for conductor connection	nominal	0.5 mm <sup>2</sup>
		Tube length	min.
	Tube length	max.	12 mm
		Cross-section for conductor connection	nominal
	Tube length		min.
		Tube length	max.
	Cross-section for conductor connection		nominal
		Tube length	min.
	Tube length		max.
		Cross-section for conductor connection	nominal
	Tube length		min.
		Tube length	max.
Cross-section for conductor connection	nominal		2.5 mm <sup>2</sup>
	Tube length	min.	10 mm
Cross-section for conductor connection		nominal	0.5 mm <sup>2</sup>
	Tube length	nominal	10 mm
Cross-section for conductor connection		nominal	0.75 mm <sup>2</sup>
	Tube length	nominal	10 mm
Cross-section for conductor connection		nominal	1 mm <sup>2</sup>
	Tube length	min.	10 mm
Tube length		max.	12 mm
	Cross-section for conductor connection	nominal	1.5 mm <sup>2</sup>
Tube length		min.	10 mm
	Tube length	max.	12 mm

## ZSI 2.5/5X25

**Weidmüller Interface GmbH & Co. KG**

Klingenbergstraße 26  
D-32758 Detmold  
Germany

www.weidmueller.com

## Technical data

Clampable conductor	Cross-section for conductor connection	nominal	2.5 mm <sup>2</sup>
	Connection specification	Screw connection	

### Fuse terminals

Cartridge fuse	G-Si. 5 x 25	Fuse holder (cartridge holder)	for screw fixing
Type of voltage for indicator	AC/DC	Display	Without LED
Operating voltage, max.	500 V		

### General

Wire connection cross section AWG, max.	AWG 12	Installation advice	Direct mounting
Wire connection cross section AWG, min.	AWG 30	Standards	IEC 60947-7-3
Mounting rail	TS 35		

### Rating data

Rated cross-section	2.5 mm <sup>2</sup>	Rated voltage	500 V
Rated voltage to adjoining terminal	500 V	Rated DC voltage	500 V
Nominal current	6.3 A	Current at maximum wires	6.3 A
Standards	IEC 60947-7-3	Volume resistance according to IEC 60947-7-x	1.33 mΩ
Rated impulse withstand voltage	6 kV	Power loss in accordance with IEC 60947-7-x	0.77 W
Pollution severity	3		

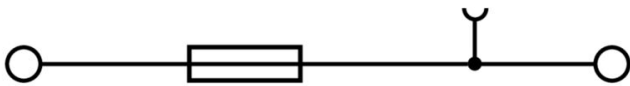
### Important note

Product information	The voltage depends on the selected fuse element or the selected indicator light
---------------------	----------------------------------------------------------------------------------

### Classifications

ETIM 8.0	EC000899	ETIM 9.0	EC000899
ETIM 10.0	EC000899	ECLASS 14.0	27-25-01-13
ECLASS 15.0	27-25-01-13		

**Drawings**



## ZSI 2.5/5X25

**Weidmüller Interface GmbH & Co. KG**  
 Klingenbergstraße 26  
 D-32758 Detmold  
 Germany

www.weidmueller.com

## Accessories

## Cross-connections



The distribution or multiplication of a potential to adjoining terminal blocks is realized via a cross-connection. Additional wiring effort can be easily avoided. Even if the poles are broken out, contact reliability in the terminal blocks is still ensured. Our portfolio offers pluggable and screwable cross-connection systems for modular terminal blocks.

## General ordering data

Type	ZQV 6/2 GE	Version
Order No.	<a href="#">1627850000</a>	Accessories, Cross-connector, 41 A
GTIN (EAN)	4008190200428	
Qty.	60 ST	
Type	ZQV 6/3 GE	Version
Order No.	<a href="#">1627860000</a>	Accessories, Cross-connector, 41 A
GTIN (EAN)	4008190200435	
Qty.	60 ST	
Type	ZQV 6/4 GE	Version
Order No.	<a href="#">1627870000</a>	Accessories, Cross-connector, 41 A
GTIN (EAN)	4008190200442	
Qty.	60 ST	
Type	ZQV 6/24 GE	Version
Order No.	<a href="#">1908990000</a>	Accessories, Cross-connector, 41 A
GTIN (EAN)	4032248535309	
Qty.	10 ST	
Type	ZQV 6/32 GE	Version
Order No.	<a href="#">1733640000</a>	Accessories, Cross-connector, 41 A
GTIN (EAN)	4008190994334	
Qty.	10 ST	

## End plates and partition plates



Partition plates and end plates are essential accessories for terminal blocks. Partition plates provide optical and electrical separation of different potentials and functional groups, increasing safety and ensuring a clear structure inside the control cabinet. End plates close the terminal block row on the sides, protect against contact with live parts, and ensure a clean, stable finish. Both components are precisely matched to the respective Weidmüller terminal block series, contributing to safe, compliant, and professional wiring.

## General ordering data

Type	ZAP/TW 3	Version
Order No.	<a href="#">1608800000</a>	Z-series, Accessories, End plate, Partition plate
GTIN (EAN)	4008190190927	
Qty.	50 ST	

## ZSI 2.5/5X25

**Weidmüller Interface GmbH & Co. KG**  
 Klingenbergstraße 26  
 D-32758 Detmold  
 Germany

www.weidmuller.com

## Accessories

Type	ZAP/TW 3 BL	Version
Order No.	<a href="#">1608810000</a>	Z-series, End plate, Partition plate
GTIN (EAN)	4008190190934	
Qty.	50 ST	
Type	ZAP/TW 3 GN	Version
Order No.	<a href="#">1683840000</a>	Z-series, End plate, Partition plate
GTIN (EAN)	4008190477561	
Qty.	50 ST	
Type	ZAP/TW 3 GR	Version
Order No.	<a href="#">1683870000</a>	Z-series, End plate, Partition plate
GTIN (EAN)	4008190477592	
Qty.	50 ST	
Type	ZAP/TW 3 OR	Version
Order No.	<a href="#">1608820000</a>	Z-series, End plate, Partition plate
GTIN (EAN)	4008190190941	
Qty.	50 ST	
Type	ZAP/TW 3 RT	Version
Order No.	<a href="#">1683820000</a>	Z-series, End plate, Partition plate
GTIN (EAN)	4008190477547	
Qty.	50 ST	
Type	ZAP/TW 3 SW	Version
Order No.	<a href="#">1683890000</a>	Z-series, End plate, Partition plate
GTIN (EAN)	4008190477615	
Qty.	50 ST	
Type	ZAP/TW 3 WS	Version
Order No.	<a href="#">1683880000</a>	Z-series, End plate, Partition plate
GTIN (EAN)	4008190477608	
Qty.	50 ST	
Type	ZAP TNHE/ZSI2.5	Version
Order No.	<a href="#">1610840000</a>	Z-series, End plate
GTIN (EAN)	4008190263379	
Qty.	25 ST	

## Testadapter and testsockets



Test adapters and test plugs are used for the electrical connection between terminal blocks and the test equipment. In this way, an electrical contact can be established in the wired state and measurements can be done easily.

## General ordering data

Type	ZTA 1	Version
Order No.	<a href="#">1609040000</a>	Accessories, Test adapter, 9 A
GTIN (EAN)	4008190196851	
Qty.	25 ST	

## ZSI 2.5/5X25

**Weidmüller Interface GmbH & Co. KG**  
 Klingenbergstraße 26  
 D-32758 Detmold  
 Germany

www.weidmueller.com

## Accessories

Type	ZTA 1/ZA	Version	
Order No.	<a href="#">1609050000</a>	Accessories, Test adapter, 9 A	
GTIN (EAN)	4008190206543		
Qty.	25 ST		

## Fuse



As accessories for our wide product portfolio of fuse terminal blocks, we also offer the appropriate fuse links. The portfolio includes device protection fuses (miniature fuses) from 5x20 mm up to 10x38 mm, E 14 to E 18 fuse links, as well as automotive fuses and automatic circuit breakers. Gauge rings for the fuse holders round off the overall portfolio.

## General ordering data

Type	G 25/2.00A/F BL	Version	
Order No.	<a href="#">0192700000</a>	Miniature fuse, quick-acting, 2 A, G-Si. 5 x 25	
GTIN (EAN)	4008190176402		
Qty.	10 ST		
Type	G 25/4.00A/F BR	Version	
Order No.	<a href="#">0192800000</a>	Miniature fuse, quick-acting, 4 A, G-Si. 5 x 25	
GTIN (EAN)	4008190115319		
Qty.	10 ST		
Type	G 25/6.30A/F GN	Version	
Order No.	<a href="#">0192900000</a>	Miniature fuse, quick-acting, 6.3 A, G-Si. 5 x 25	
GTIN (EAN)	4008190135461		
Qty.	10 ST		
Type	G 25/0.25A/M GE	Version	
Order No.	<a href="#">0546900000</a>	Miniature fuse, medium time-lag, 0.25 A, G-Si. 5 x 25	
GTIN (EAN)	4008190097370		
Qty.	10 ST		
Type	G 25/0.50A/M WS	Version	
Order No.	<a href="#">0510300000</a>	Miniature fuse, medium time-lag, 0.5 A, G-Si. 5 x 25	
GTIN (EAN)	4008190018368		
Qty.	10 ST		
Type	G 25/0.80A/M GR	Version	
Order No.	<a href="#">0646400000</a>	Miniature fuse, medium time-lag, 0.8 A, G-Si. 5 x 25	
GTIN (EAN)	4008190060794		
Qty.	10 ST		
Type	G 25/1.00A/M RT	Version	
Order No.	<a href="#">0265800000</a>	Miniature fuse, medium time-lag, 1 A, G-Si. 5 x 25	
GTIN (EAN)	4008190141660		
Qty.	10 ST		
Type	G 25/10.0A/M RT	Version	
Order No.	<a href="#">0193100000</a>	Miniature fuse, medium time-lag, 10 A, G-Si. 5 x 25	
GTIN (EAN)	4008190023799		
Qty.	10 ST		

## ZSI 2.5/5X25

**Weidmüller Interface GmbH & Co. KG**  
 Klingenbergstraße 26  
 D-32758 Detmold  
 Germany

## Accessories

www.weidmueller.com

### STR transparent strips



#### General ordering data

Type	STR 7 F.SCHT 7	Version	
Order No.	<a href="#">0515300000</a>	Terminal markers, Protective cap, 27 x 6.3 mm, Transparent	
GTIN (EAN)	4008190182175		
Qty.	20 ST		

### Blank



The Dekafix (DEK) marker is the universal marker for all conductor and plug-in connectors as well as for electronic sub-assemblies. The system is ideal for short number sequences and covers a wide range of ready-printed markers.

Strips for fast installation in only one work step. The printing is easy to read, rich in contrast and available in various widths.

- Large range of ready-to-use markers
  - Strips for fast installation
  - Terminal markers, suitable for all Weidmüller cable connectors
  - Available as blank MultiCard or with standard printing
- For custom printing: Please send us a file of our labeling software M-Print PRO or M-Print PRO Online (without installation) for your labeling specifications.

#### General ordering data

Type	DEK 5/5 MC NE WS	Version	
Order No.	<a href="#">1609801044</a>	Dekafix, Terminal marker, 5 x 5 mm, Pitch in mm (P): 5.00	
GTIN (EAN)	4008190397111	Weidmueller, white	
Qty.	1000 ST		
Type	WS 10/15 MC NE WS	Version	
Order No.	<a href="#">1854090000</a>	WS, Terminal marker, 10 x 15 mm, Pitch in mm (P): 15.00	
GTIN (EAN)	4032248390694	Weidmueller, Allen-Bradley, white	
Qty.	240 ST		
Type	WS 10/5 M MC NE WS	Version	
Order No.	<a href="#">1792000000</a>	WS, Terminal marker, 10 x 5 mm, Pitch in mm (P): 5.00 Weidmueller,	
GTIN (EAN)	4032248223862	Allen-Bradley, white	
Qty.	720 ST		
Type	WS 10/5 MC NE WS	Version	
Order No.	<a href="#">1635000000</a>	WS, Terminal marker, 10 x 5 mm, Pitch in mm (P): 5.00 Weidmueller,	
GTIN (EAN)	4008190261948	Allen-Bradley, white	
Qty.	720 ST		

## ZSI 2.5/5X25

**Weidmüller Interface GmbH & Co. KG**  
 Klingenbergstraße 26  
 D-32758 Detmold  
 Germany

## Accessories

www.weidmueller.com

## ZGB pivotable group tag holder



The ZGB 15 is a hinged group tag carrier. The tag carrier can hold the dekafix 5, WS 12/5 terminal markers or the inlay tag ESO 15.

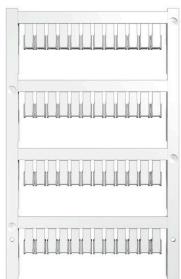
The ZGB 30 is a hinged group tag carrier. The tag carrier can hold the dekafix 5, WS 12/5 terminal markers or the inlay tag ESO 7.

Inlay tags and protective strips can be found under "Accessories".

## General ordering data

Type	ZGB 15	Version
Order No.	<a href="#">1636530000</a>	Terminal markers, Terminal marker, 15 x 7 mm, Pitch in mm (P): 5.00
GTIN (EAN)	4008190297053	Weidmueller, white
Qty.	20 ST	
Type	ZGB 30	Version
Order No.	<a href="#">1611930000</a>	Terminal markers, Terminal marker, 32 x 7 mm, Pitch in mm (P): 5.00
GTIN (EAN)	4008190002251	Weidmueller, white
Qty.	20 ST	
Type	ZGB 30/3.5	Version
Order No.	<a href="#">1778290000</a>	Terminal markers, Terminal marker, 32 x 7 mm, Pitch in mm (P): 3.50
GTIN (EAN)	4032248161065	white
Qty.	20 ST	

## Blank



ZS markers - in proven MultiCard-format - have been developed specifically for the Z-series. They have a large printing area. The hinged mechanism even allows access to cross-connectors without dismantling. Quick installation is guaranteed by the fact that the single tags are clipped on in strips. The single tags are easy to separate.

- Hinged marker area
- Can be fitted in strips or individually
- Markers in proven MultiCard format

For custom printing: Please send us a file of our labeling software M-Print PRO or M-Print PRO Online (without installation) for your labeling specifications.

## General ordering data

Type	ZS 10/5 MC NE WS	Version
Order No.	<a href="#">1610000000</a>	ZS, Terminal marker, 10 x 5 mm, Pitch in mm (P): 5.00 Weidmueller,
GTIN (EAN)	4008190263171	Allen-Bradley, white
Qty.	480 ST	
Type	ZS 12/6 MC NE WS	Version
Order No.	<a href="#">1610020000</a>	ZS, Terminal marker, 12 x 6 mm, Pitch in mm (P): 6.00 Weidmueller,
GTIN (EAN)	4008190444600	Allen-Bradley, white
Qty.	400 ST	
Type	ZS 15/5 MC NE WS	Version
Order No.	<a href="#">1646630000</a>	ZS, Terminal marker, 15 x 5 mm, Pitch in mm (P): 5.00 Weidmueller,
GTIN (EAN)	4008190401214	Allen-Bradley, white
Qty.	480 ST	

## ZSI 2.5/5X25

Weidmüller Interface GmbH &amp; Co. KG

Klingenbergstraße 26

D-32758 Detmold

Germany

www.weidmueller.com

## Accessories

## Marker holder

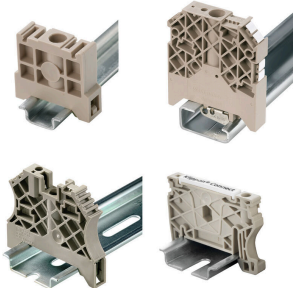


The marker holder offer the possibility of additional mounting of standard markers with a pitch of 5 or 5.1 mm. The angled holders can be optionally snapped together and could be mounted in all standard marking channels of the Klippon® Connect modular terminal blocks. Fitting marker types could be found under the respective accessories of the designation marking holder.

## General ordering data

Type	BZT 1 WS 10/5	Version	
Order No.	<a href="#">1805490000</a>	Accessories, Marker holder	
GTIN (EAN)	4032248270231		
Qty.	100 ST		
Type	BZT 1 ZA WS 10/5	Version	
Order No.	<a href="#">1805520000</a>	Accessories, Marker holder	
GTIN (EAN)	4032248270248		
Qty.	100 ST		

## End bracket



Weidmüller's range of products includes end brackets that guarantee a permanent, reliable mounting on the terminal rail and prevent sliding. Versions with and without screws are available. The end brackets include marking options, also for group markers, and also a test plug holder.

## General ordering data

Type	ZST 1	Version	
Order No.	<a href="#">1269070000</a>	Accessories, Accessories holder	
GTIN (EAN)	4050118094091		
Qty.	25 ST		

## Slotted screwdriver



VDE insulated screwdriver sets, for working on live parts up to 1000 V AC and 1500 V DC, DIN EN 60900. IEC 900. Each piece is "GS" safety tested. Blade made from fully hardened, high-alloy chromium-vanadium-molybdenum steel, gun-metal finish.

## Accessories

### General ordering data

Type	SDIS SLIM 0.6X3.5X100	Version	
Order No.	<a href="#">2749610000</a>	Mounting tool, Blade width (B): 3.5 mm, Blade length: 100 mm, Blade	
GTIN (EAN)	4050118896350	thickness (A): 0.6 mm	
Qty.	1 ST		