

Modular Signal Towers / Accessories Base for tube D25mm, pl. BK



Part No.: 975.840.90

MECHANICAL DATA

Height	37 mm
Diameter	70 mm
Materials	PA-GF
Housing colour	Black
Weight with packaging	40 g
Product weight	40 g

APPROVAL DATA

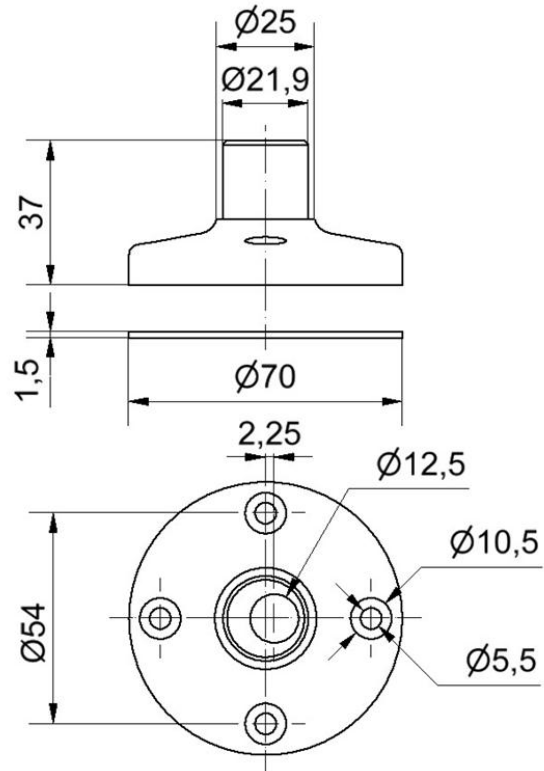
Conforms with CE	No
Conforms with RoHS directive	Fulfills substance restriction
WEEE	No
Conforms with ATEX-directive	No
Conforms with CCC	No
Conforms with UL	No
Conforms with FCC	No
Conforms with ISED	No
EAC certificate available	No
Conforms with AS-I	No
ICAO Certification	No
Conforms with DNV	No
Conforms with RoHS CN	No



For additional installation and mounting information, refer to the appropriate user guide at www.werma.com. This printed copy is for information only and is subject to alteration.

Modular Signal Towers / Accessories
Base for tube D25mm, pl. BK

DRAWING



For additional installation and mounting information, refer to the appropriate user guide at www.werma.com. This printed copy is for information only and is subject to alteration.