

KombiSIGN 70 / Accessories

Bracket for 1-sided mount. BK



Part No.: 975.840.85

MECHANICAL DATA

Height	98 mm
Diameter	70 mm
Materials	PA-GF
Housing colour	Black
Weight with packaging	72 g
Product weight	69 g

APPROVAL DATA

Conforms with CE	No
Conforms with RoHS directive	Fulfills substance restriction
WEEE	No
Conforms with ATEX-directive	No
Conforms with CCC	No
Conforms with UL	No
Conforms with FCC	No
Conforms with ISED	No
EAC certificate available	No
Conforms with AS-I	No
ICAO Certification	No
Conforms with DNV	No
Conforms with RoHS CN	No

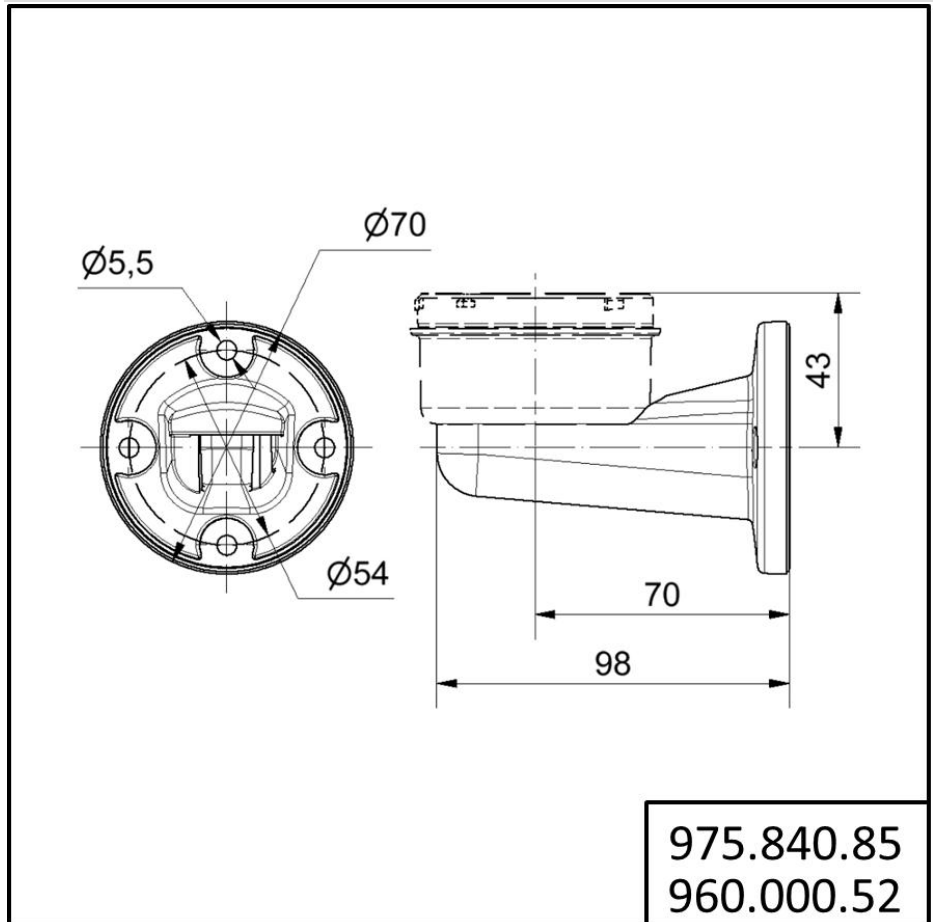


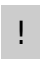
For additional installation and mounting information, refer to the appropriate user guide at www.werma.com. This printed copy is for information only and is subject to alteration.

KombiSIGN 70 / Accessories

Bracket for 1-sided mount. BK

DRAWING



 For additional installation and mounting information, refer to the appropriate user guide at www.werma.com. This printed copy is for information only and is subject to alteration.