

## Permanent Light 826 / Accessories

### Bracket BK



**Part No.:** 975.826.05

#### MECHANICAL DATA

Length	99 mm
Width	79 mm
Height	44 mm
Materials	PC/ABS
Housing colour	Black
Weight with packaging	62 g
Product weight	62 g

#### APPROVAL DATA

Conforms with CE	No
Conforms with RoHS directive	Fulfills substance restriction
WEEE	No
Conforms with ATEX-directive	No
Conforms with CCC	No
Conforms with UL	No
Conforms with FCC	No
Conforms with ISED	No
EAC certificate available	No
Conforms with UKCA (Importer)	No
Conforms with AS-I	No
ICAO Certification	No
Conforms with DNV	No
Conforms with RoHS CN	No

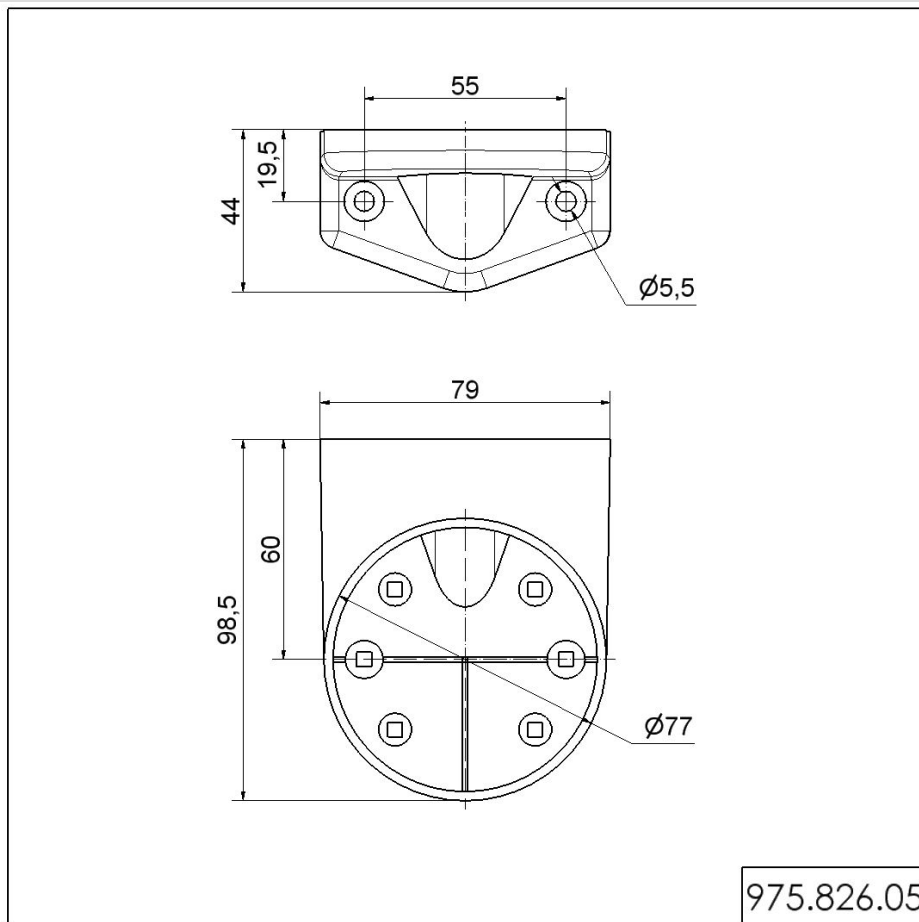


For additional installation and mounting information, refer to the appropriate user guide at [www.werma.com](http://www.werma.com). This printed copy is for information only and is subject to alteration.

Permanent Light 826 / Accessories

**Bracket BK**

**DRAWING**



975.826.05



For additional installation and mounting information, refer to the appropriate user guide at [www.werma.com](http://www.werma.com). This printed copy is for information only and is subject to alteration.