

Permanent Light 826 / Accessories Wire guard SR



Part No.: 975.826.03

MECHANICAL DATA

Height	163 mm
Diameter	146 mm
Materials	Steel
Housing colour	Silver
Weight with packaging	140 g
Product weight	140 g

APPROVAL DATA

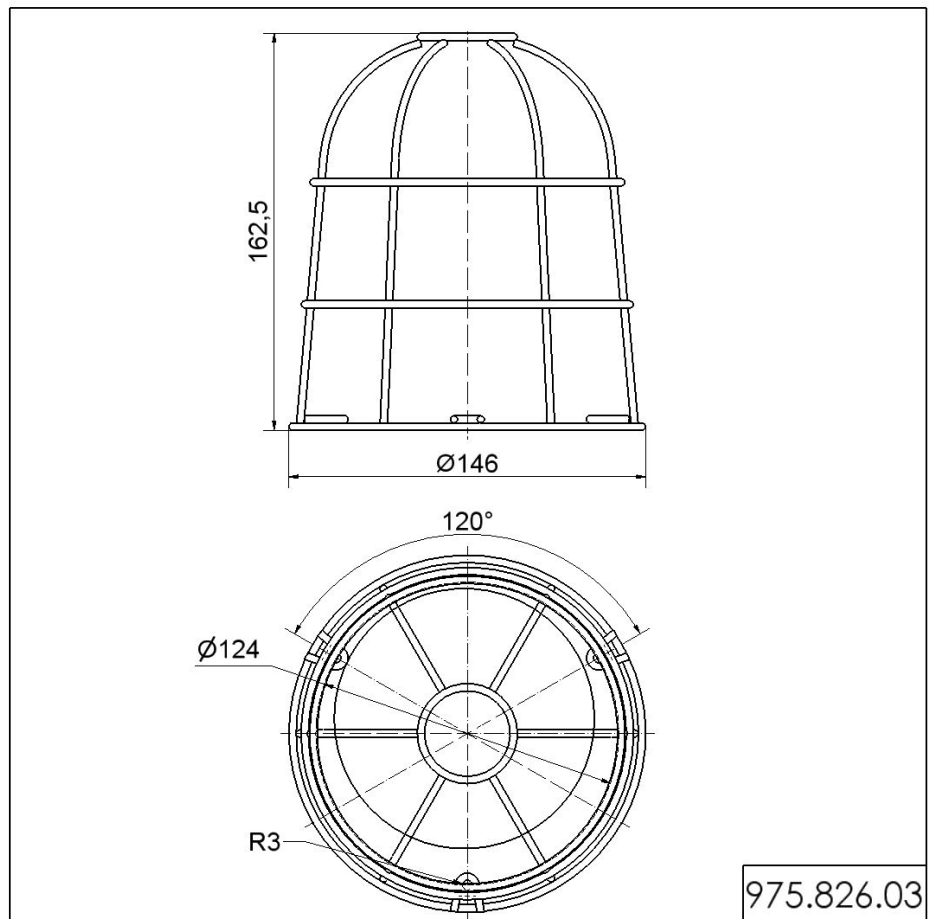
Conforms with RoHS directive	Fulfills substance restriction
WEEE	No
Conforms with ATEX-directive	No
Conforms with CCC	No
Conforms with UL	No
Conforms with FCC	No
Conforms with ISED	No
EAC certificate available	No
Conforms with AS-I	No
ICAO Certification	No
Conforms with DNV	No
Conforms with RoHS CN	No



For additional installation and mounting information, refer to the appropriate user guide at www.werma.com. This printed copy is for information only and is subject to alteration.

Permanent Light 826 / Accessories
Wire guard SR

DRAWING



For additional installation and mounting information, refer to the appropriate user guide at www.werma.com. This printed copy is for information only and is subject to alteration.