

KombiSIGN 70 / Accessories

**Bracket for wall mount. BK**



**Part No.:** 960.000.02

<b>MECHANICAL DATA</b>	
Length	77 mm
Width	55 mm
Height	57 mm
Diameter	55 mm
Materials	PA-GF
Housing colour	Black
Weight with packaging	43 g
Product weight	40 g

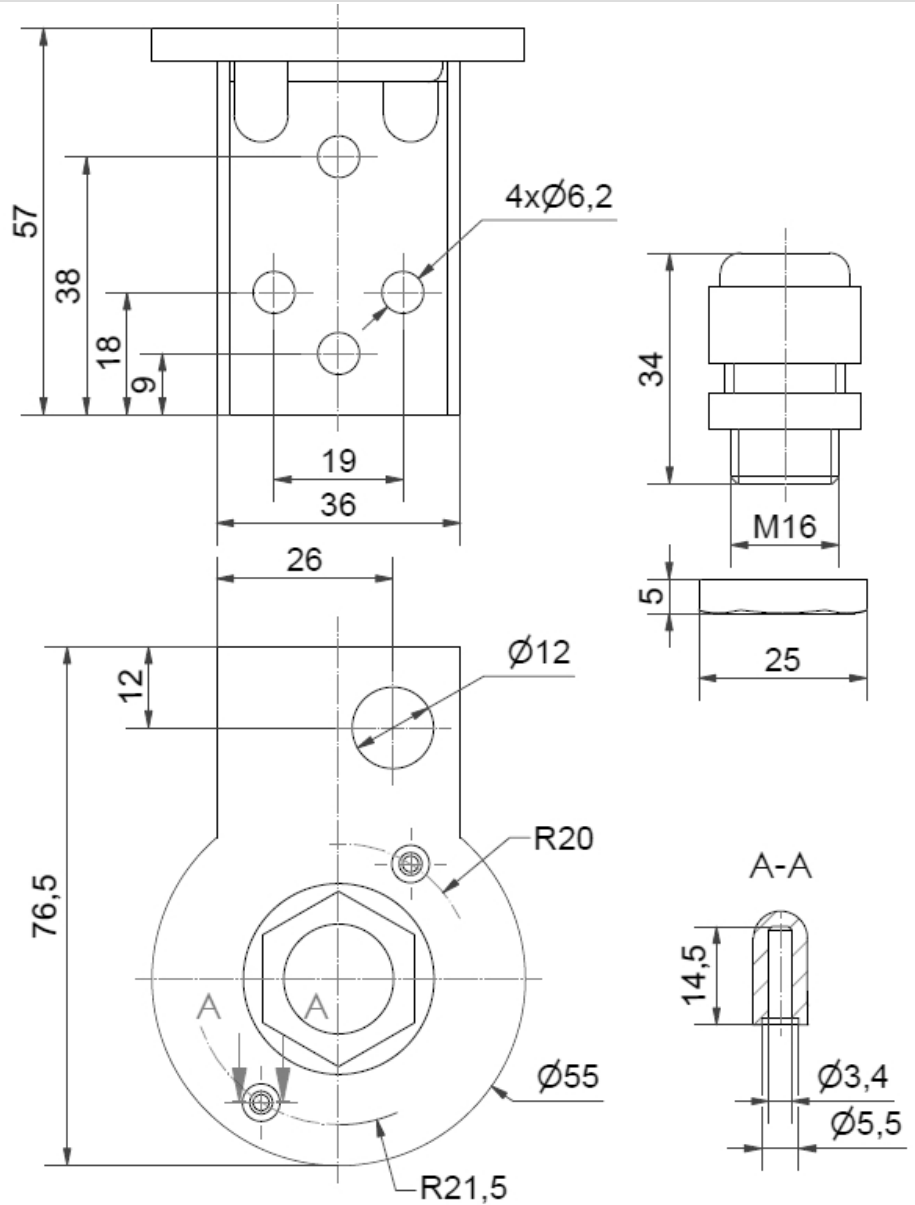
<b>APPROVAL DATA</b>	
Conforms with CE	No
Conforms with RoHS directive	Fulfills substance restriction
WEEE	No
Conforms with ATEX-directive	No
Conforms with CCC	No
Conforms with UL	No
Conforms with FCC	No
Conforms with ISED	No
EAC certificate available	No
Conforms with UKCA (Importer)	No
Conforms with AS-I	No
ICAO Certification	No
Conforms with DNV	No
Conforms with RoHS CN	No

**!** For additional installation and mounting information, refer to the appropriate user guide at [www.werma.com](http://www.werma.com). This printed copy is for information only and is subject to alteration.

KombiSIGN 70 / Accessories

**Bracket for wall mount. BK**

**DRAWING**



For additional installation and mounting information, refer to the appropriate user guide at [www.werma.com](http://www.werma.com). This printed copy is for information only and is subject to alteration.