

Modular Signal Towers / Accessories  
**Bracket for base mounting BK**



**Part No.:** 960.000.01

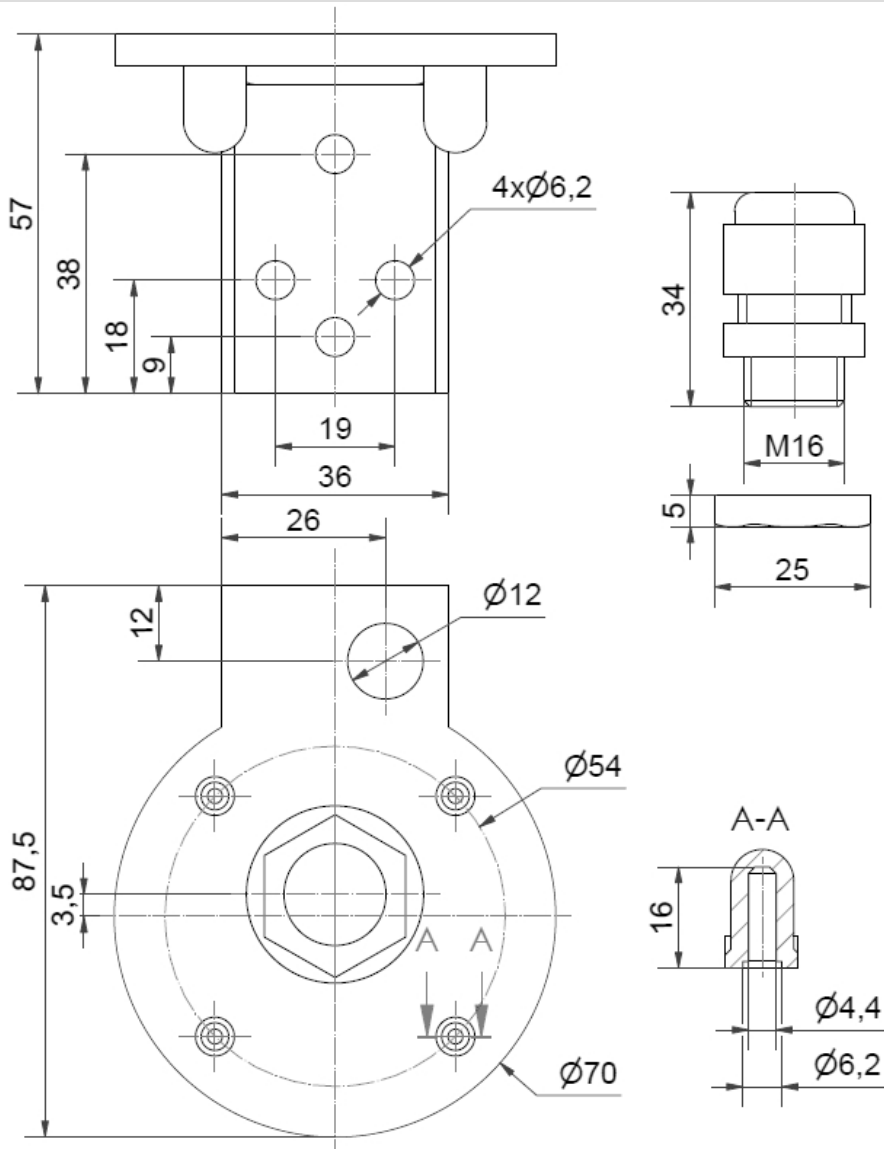
MECHANICAL DATA	
Length	88 mm
Width	70 mm
Height	57 mm
Diameter	70 mm
Materials	PA-GF
Housing colour	Black
Weight with packaging	57 g
Product weight	57 g

APPROVAL DATA	
Conforms with CE	No
Conforms with RoHS directive	Fulfills substance restriction
WEEE	No
Conforms with ATEX-directive	No
Conforms with CCC	No
Conforms with UL	No
Conforms with FCC	No
Conforms with ISED	No
EAC certificate available	No
Conforms with UKCA (Importer)	No
Conforms with AS-I	No
ICAO Certification	No
Conforms with DNV	No
Conforms with RoHS CN	No

**!** For additional installation and mounting information, refer to the appropriate user guide at [www.werma.com](http://www.werma.com). This printed copy is for information only and is subject to alteration.

Modular Signal Towers / Accessories  
**Bracket for base mounting BK**

**DRAWING**



! For additional installation and mounting information, refer to the appropriate user guide at [www.werma.com](http://www.werma.com). This printed copy is for information only and is subject to alteration.