

## KombiSIGN 71 / Terminal Element

### Terminal element screwable BWM



|                  |                     |
|------------------|---------------------|
| <b>Part No.:</b> | <b>640.820.00</b>   |
| <b>Series:</b>   | <b>KombiSIGN 71</b> |



#### MECHANICAL DATA

|                              |                                |
|------------------------------|--------------------------------|
| Height                       | 43 mm                          |
| Diameter                     | 70 mm                          |
| Materials                    | PA-GF<br>PC                    |
| Housing colour               | Black                          |
| Protection category          | IP65                           |
| Connection                   | Screw terminals                |
| cross-sectional area minimum | 0,25mm <sup>2</sup> / 24AWG    |
| cross-sectional area maximum | 1,50mm <sup>2</sup> / 16AWG    |
| Cable entry                  | Through hole                   |
| Cable entry maximum          | d = 11 mm                      |
| Type of fixing               | Base mounting<br>Wall mounting |
| Working temperature minimum  | -20°C                          |
| Working temperature maximum  | +50°C                          |
| Weight with packaging        | 107 g                          |
| Product weight               | 89 g                           |

#### ELECTRICAL DATA

|                        |                          |
|------------------------|--------------------------|
| Operating voltage      | 12-230V                  |
| Operating voltage type | AC/DC                    |
| Protection class       | Protection class 2       |
| Pollution degree       | 3                        |
| Overvoltage category   | II                       |
| insulation voltage     | Ui = 250V / Uimp = 2500V |

#### APPROVAL DATA

|                               |                       |
|-------------------------------|-----------------------|
| Conforms with CE              | Yes                   |
| Conforms with RoHS directive  | Yes                   |
| WEEE                          | Yes                   |
| Conforms with ATEX-directive  | No                    |
| Conforms with CCC             | No                    |
| Conforms with UL              | cULus                 |
| UL Type Rating                | Type 12               |
| Conforms with FCC             | No                    |
| Conforms with ISED            | No                    |
| EAC certificate available     | No                    |
| Conforms with UKCA (Importer) | Yes (WERMA (UK) Ltd.) |
| Conforms with CMIM            | No                    |

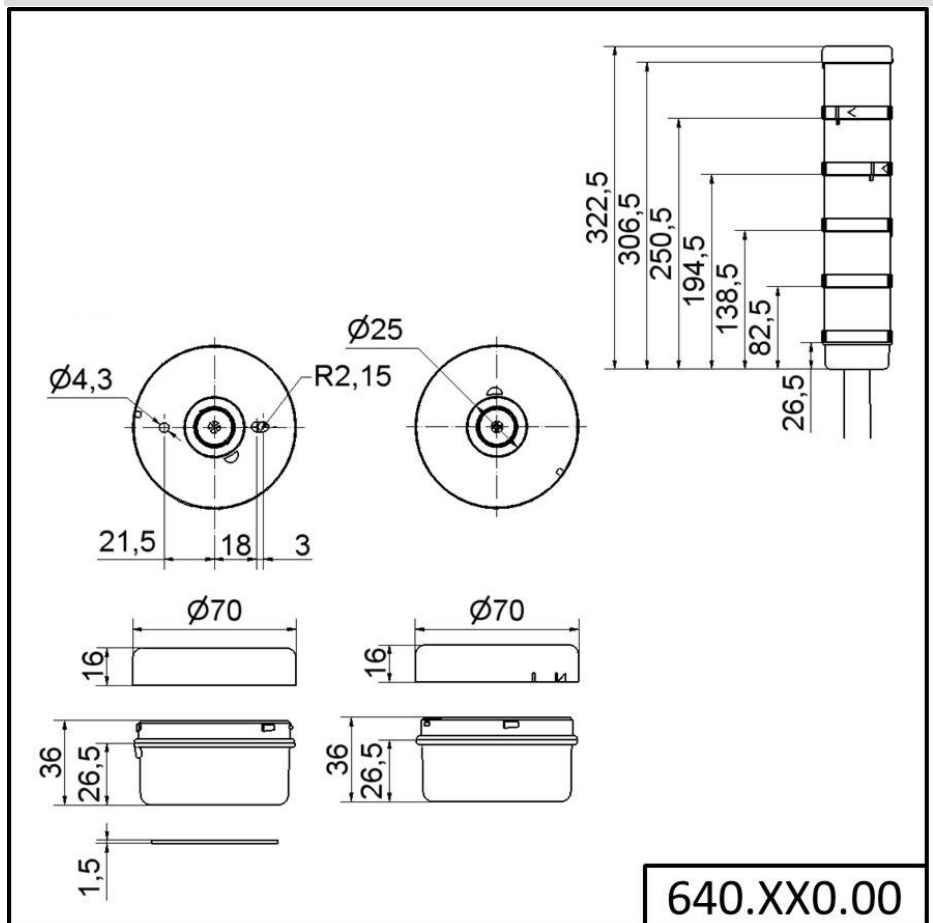


For additional installation and mounting information, refer to the appropriate user guide at [www.werma.com](http://www.werma.com). This printed copy is for information only and is subject to alteration.

KombiSIGN 71 / Terminal Element  
**Terminal element screwable BWM**

|                       |    |
|-----------------------|----|
| Conforms with AS-I    | No |
| ICAO Certification    | No |
| Conforms with DNV     | No |
| Conforms with RoHS CN | No |
| Conforms with VdS     | No |

**DRAWING**



**640.XX0.00**



For additional installation and mounting information, refer to the appropriate user guide at [www.werma.com](http://www.werma.com). This printed copy is for information only and is subject to alteration.