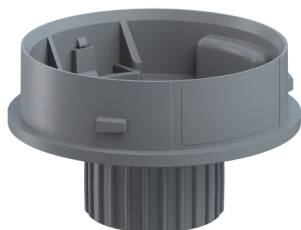


EvoSIGNAL / EvoSIGNAL Accessories

Mini Adapter Installation mount M22 GY



| | |
|------------------|-------------------|
| Part No.: | 260.700.03 |
| Series: | EvoSIGNAL |



MECHANICAL DATA

| | |
|-----------------------------|-------------------|
| Height | 33 mm |
| Diameter | 62 mm |
| Materials | PC/ABS |
| Housing colour | Grey |
| Protection category | IP66 |
| Cable entry | Through hole |
| Cable entry maximum | d = 12 mm |
| Type of fixing | Built-in mounting |
| Working temperature minimum | -30°C |
| Working temperature maximum | +60°C |
| Weight with packaging | 25 g |
| Product weight | 25 g |

ELECTRICAL DATA

| | |
|------------------|--------------------------------|
| Pollution degree | 3 In the connection area: 2 |
|------------------|--------------------------------|

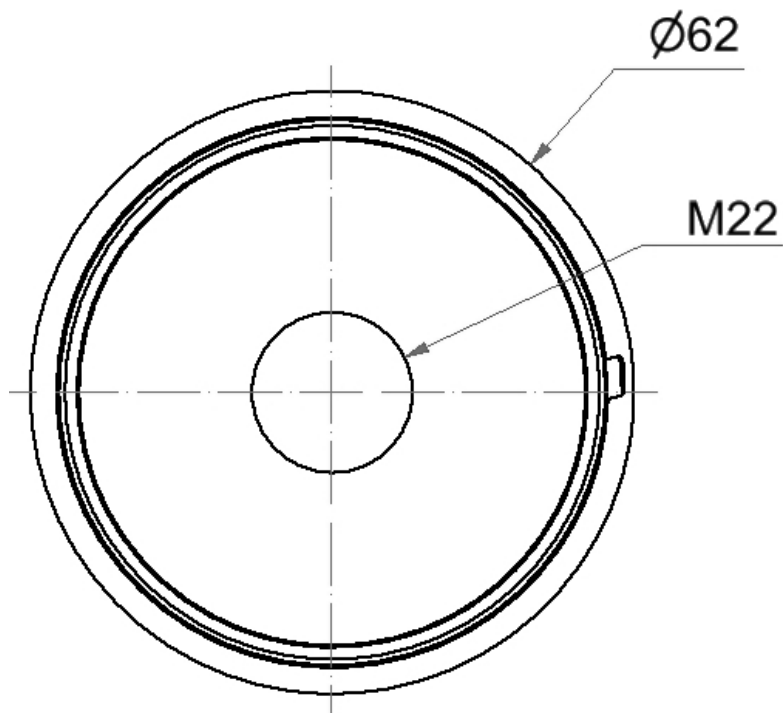
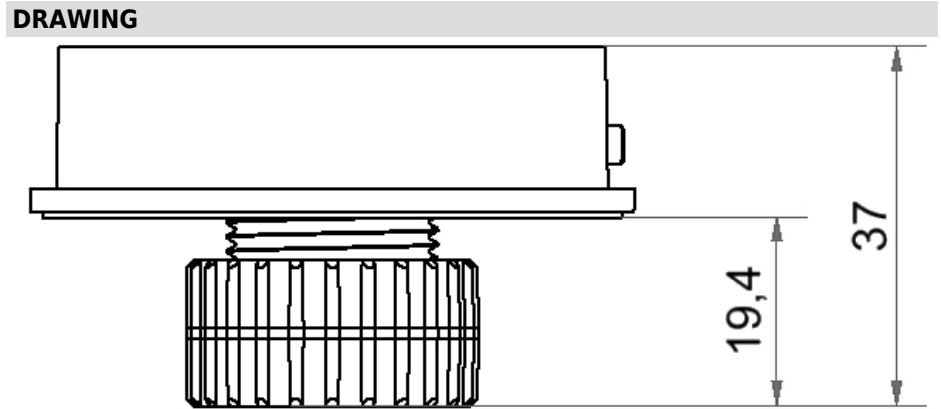
APPROVAL DATA

| | |
|-------------------------------|--------------------------------|
| Conforms with CE | No |
| Conforms with RoHS directive | Fulfills substance restriction |
| WEEE | No |
| Conforms with ATEX-directive | No |
| Conforms with CCC | No |
| Conforms with UL | cULus |
| UL Type Rating | Type 12 |
| Conforms with FCC | No |
| Conforms with ISED | No |
| EAC certificate available | No |
| Conforms with UKCA (Importer) | No |
| Conforms with AS-I | No |
| ICAO Certification | No |
| Conforms with DNV | No |
| Conforms with RoHS CN | No |
| Conforms with VdS | No |

! For additional installation and mounting information, refer to the appropriate user guide at www.werma.com. This printed copy is for information only and is subject to alteration.

EvoSIGNAL / EvoSIGNAL Accessories

Mini Adapter Installation mount M22 GY



For additional installation and mounting information, refer to the appropriate user guide at www.werma.com. This printed copy is for information only and is subject to alteration.