

# XS918S4PAM12

Inductive proximity sensors XS, inductive sensor XS9 M18, L64mm, full SS 316L, Sn20 mm, 12...24 VDC, M12



## Main

Range of product	Telemecanique Inductive proximity sensors XS
Series name	Application
Sensor type	Inductive proximity sensor
Device application	Food and beverage
Market segment	Pharmaceutical
Sensor name	XS9
Sensor design	Cylindrical M18
Size	64 mm
Body type	Single piece body
Enclosure material	Stainless steel 316L
Type of output signal	Discrete
Wiring technique	3-wire
[Sn] nominal sensing distance	20 mm
Discrete output function	1 NO
Discrete output type	PNP
Electrical connection	Male connector M12, 4 pins
[Us] rated supply voltage	12...24 V DC with reverse polarity protection
Switching capacity in mA	<= 200 mA with overload and short-circuit protection
IP degree of protection	IP69K conforming to DIN 40050 IP68 conforming to IEC 60529

## Complementary

Thread type	M18 x 1
Detection face	Frontal
Detector flush mounting acceptance	Non flush mountable
Material	Stainless steel 316L
Front material	Stainless steel 316L
Sensing range	> 15...40 mm
Operating zone	0...16 mm
Differential travel	1...15 % of Sr
Repeat accuracy	<= 5 % of Sr
Output circuit type	DC
Status LED	Output state: 1 LED (yellow)
Supply voltage limits	10...30 V DC
Maximum residual current	0.1 mA open state
Switching frequency	<= 200 Hz
Maximum voltage drop	<2 V (closed)
Current consumption	<= 10 mA no-load
Maximum delay first up	40 ms
Maximum delay response	0.00006 ms
Maximum delay recovery	0.015 ms
Marking	CE
Threaded length	35 mm
Height	18 mm

Length	64 mm
Net weight	0.051 kg

## Environment

Product certifications	cULus[RETURN]Ecolab
Ambient air temperature for operation	-25...85 °C
Ambient air temperature for storage	-25...85 °C
Vibration resistance	25 gn amplitude = +/- 1 mm (f = 10...55 Hz) conforming to IEC 60068-2-6
Shock resistance	30 gn for 11 ms conforming to IEC 60068-2-27

## Packing Units

Unit Type of Package 1	PCE
Number of Units in Package 1	1
Package 1 Height	2.300 cm
Package 1 Width	10.000 cm
Package 1 Length	13.000 cm
Package 1 Weight	61.000 g
Unit Type of Package 2	S01
Number of Units in Package 2	25
Package 2 Height	15.000 cm
Package 2 Width	15.000 cm
Package 2 Length	40.000 cm
Package 2 Weight	1.736 kg

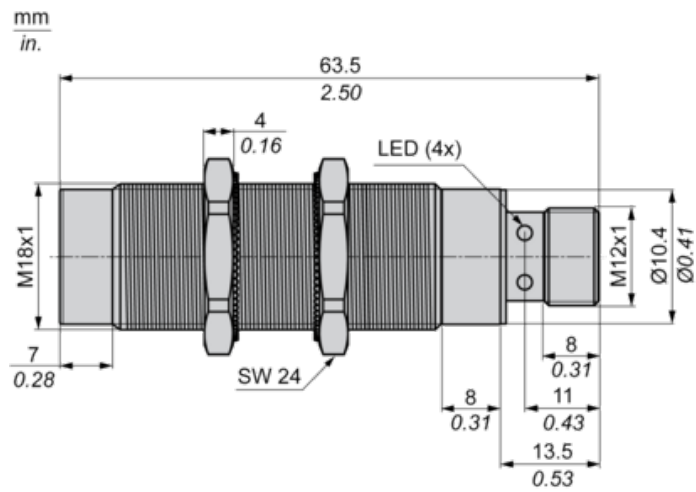
## Offer Sustainability

California proposition 65	WARNING: This product can expose you to chemicals including: Diisononyl phthalate (DINP), which is known to the State of California to cause cancer, and Di-isodecyl phthalate (DIDP), which is known to the State of California to cause birth defects or other reproductive harm. For more information go to <a href="http://www.P65Warnings.ca.gov">www.P65Warnings.ca.gov</a>
For all Reach Rohs enquiries contact us at	<a href="mailto:sustainability@tesensors.com">sustainability@tesensors.com</a>

## Contractual warranty

Warranty	18 months
----------	-----------

## Dimensions



Minimum Mounting Distances

Side by side



$e (1) \geq 182 \text{ mm} / 7.16 \text{ in.}$

Face to face



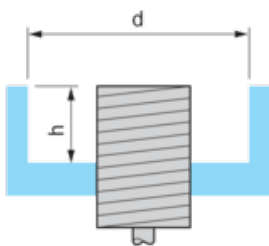
$e (2) \geq 70 \text{ mm} / 2.75 \text{ in.}$

Facing a metal object



$e (3) \geq 60 \text{ mm} / 2.36 \text{ in.}$

Mounted in a metal support

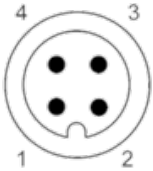


$d \geq 60 \text{ mm} / 2.36 \text{ in.}$

$h \geq 34 \text{ mm} / 1.34 \text{ in.}$

## Wiring Schemes

M12 connector



PNP

