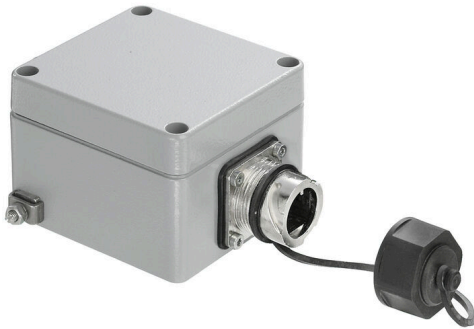


IE-OM-V01M-K11-1S

Weidmüller Interface GmbH & Co. KG
Klingenbergstraße 26
D-32758 Detmold
Germany

www.weidmueller.com



Junction box, design for bayonet plug-in connectors ver.1
according to IEC 61076-3-106, metal

General ordering data

Version	Junction box, IP67, Variant 1, 1 port, straight
Order No.	1966300000
Type	IE-OM-V01M-K11-1S
GTIN (EAN)	4032248658497
Qty.	1 items

IE-OM-V01M-K11-1S

Weidmüller Interface GmbH & Co. KG

Klingenbergstraße 26

D-32758 Detmold

Germany

www.weidmueller.com

Technical data

Approvals

ROHS	Conform
------	---------

Dimensions and weights

Depth	57 mm	Depth (inches)	2.2441 inch
Width	75 mm	Width (inches)	2.9527 inch
Length	140 mm	Length (inches)	5.5118 inch
Net weight	460 g		

Temperatures

Storage temperature	Operating temperature	-40 °C...70 °C
Installation temperature		

Environmental Product Compliance

RoHS Compliance Status	Compliant with exemption
RoHS Exemption (if applicable/known)	6c
REACH SVHC	Lead 7439-92-1, 6,6'-di-tert-butyl-2,2'-methylenedi-p-cresol 119-47-1
SCIP	e3782e8e-7b94-417d-a6f7-ac548c86df93

General data

Colour	grey	Housing main material	AL-Si 12
Type of mounting	Floor-mounted, Wall mounting	Protection degree	IP67
Plugging cycles	750		

General standards

Connector standard	IEC 61076-3-106 Var. 1
--------------------	------------------------

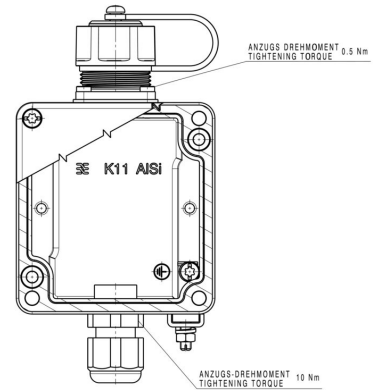
Classifications

ETIM 8.0	EC002597	ETIM 9.0	EC002597
ETIM 10.0	EC002597	ECLASS 14.0	27-44-03-18
ECLASS 15.0	27-44-03-18		

Dimensioned drawing



Drawing



IE-OM-V01M-K11-1S

Weidmüller Interface GmbH & Co. KG
 Klingenbergstraße 26
 D-32758 Detmold
 Germany

www.weidmueller.com

Accessories

RJ45



RJ45 inserts for plug-in connectors ver.1 / 4 / 5 / 14,
 HDC and junction boxes IE-OM...; IE-OP...; IE-CC...

General ordering data

Type	IE-BI-RJ45-FJ-B	Version
Order No.	1963840000	RJ45 insert socket, Connector for base, TIA-568B
GTIN (EAN)	4032248651894	
Qty.	10 ST	
Type	IE-BI-RJ45-FJ-P	Version
Order No.	1963830000	RJ45 insert socket, Connector for base, PROFINET
GTIN (EAN)	4032248646159	
Qty.	10 ST	
Type	IE-BI-RJ45-FJ-A	Version
Order No.	1962850000	RJ45 insert socket, Connector for base, TIA-568A
GTIN (EAN)	4032248645053	
Qty.	10 ST	

Sets - RJ45



Bayonet plug-in connector sets according to IEC
 61076-3-106 ver.1 (EtherNet/IP), RJ45 metal insert incl.
 RJ45 insert

General ordering data

Type	IE-PS-V01M-RJ45-FH	Version
Order No.	1963120000	RJ45 plug, no tools required, Variant 1 metal, Cat.6A / Class EA (ISO/ IEC 11801 2010)
GTIN (EAN)	4032248651627	
Qty.	10 ST	